

LED HIGH BAY LIGHT

LED LIGHTS MANUFACTURER

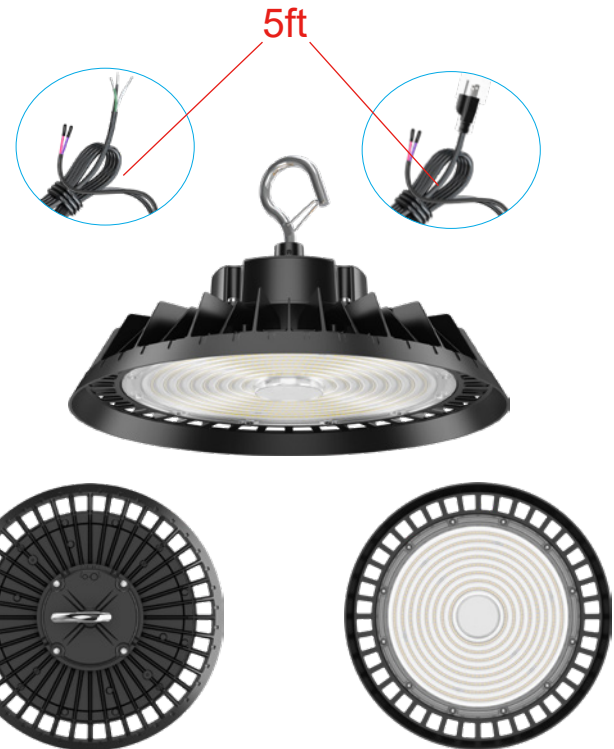


LED HIGH BAY LIGHT

- Available in 4 wattages: 100W, 150W, 200W, 240W, 300W, 400W, 500W
- Hook with screw, 5' cord for input and dimming wires
- Die-cast aluminum heatsink anti-corrosion housing
- Ribbed lens to reduce glare
- 0~10V dimming SOSEN LED driver
- 50,000hrs lifespan, 5 years warranty
- IP65 rated, wet location
- ETL, CE, DLC premium rated

*Options

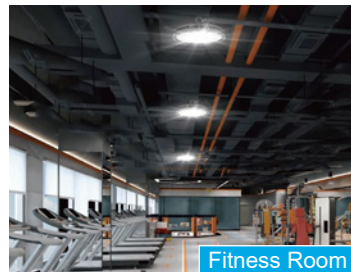
- Adjustable CCT and power (100W ~ 300W)
- Microwave sensor kits
- Emergency battery backup



Applications

LED UFO high bay are ideal for replacing HID/ HPS/ MHL high bay fixtures.

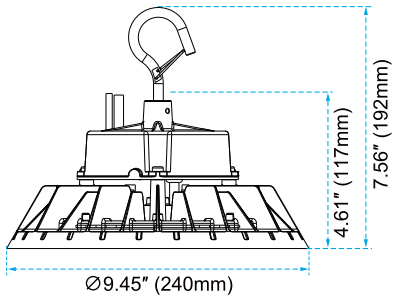
Applications such as warehouses workshop and manufacturing facilities and industrial buildings any indoor or outdoor commercial and industrial area.



DIMENSIONS

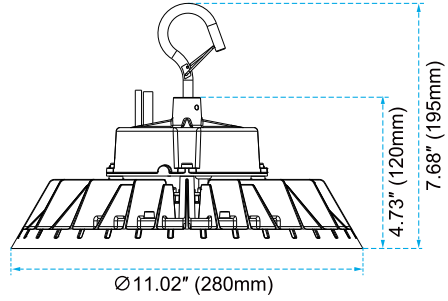
100W

Weight: 1700g/ 3.75 lbs



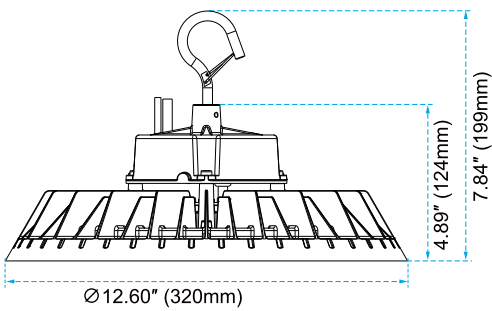
150W

Weight: 2000g/ 4.41 lbs



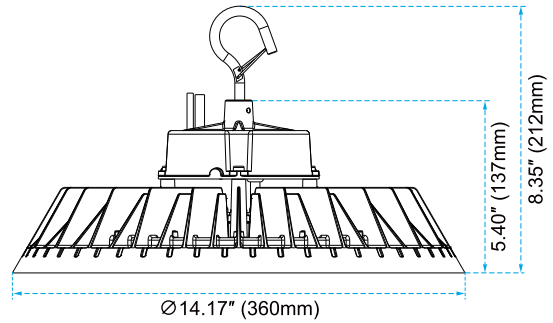
200W/ 240W

Weight: 2500g/ 5.51 lbs



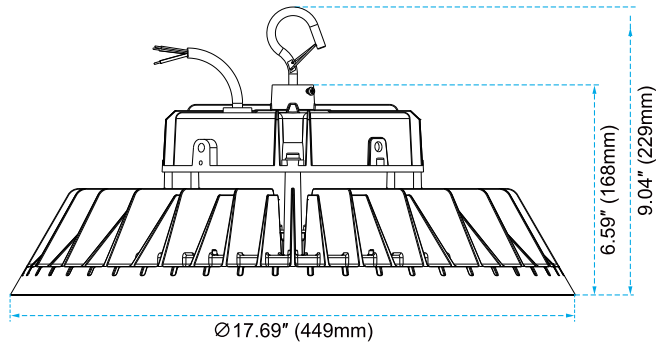
300W

Weight: 3100g/ 6.83 lbs



400W/ 500W

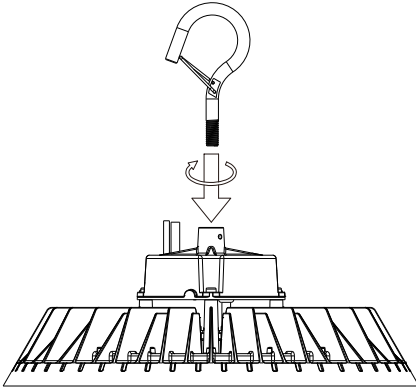
Weight: 5800g/ 12.78 lbs



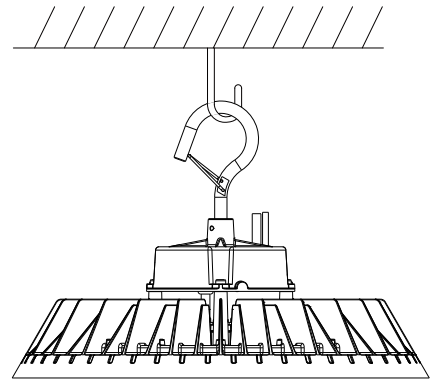
Series	Lumens	LED Type	Beam Angle (Degree)	Electrical Data	Color Temperature	Color Rendering Index
NG-UFO-100W	15000 Lm	320PCS (160PCS - 4500K) (160PCS - 5700K)	90°/ 120°	Input Voltage 100-277VAC or 277-480VAC 50 ~ 60Hz Power Factor(>)>90	WW: 3000K NW: 4000K DW: 5000K CW: 5700K	Ra≥80
NG-UFO-150W	22500 Lm	480PCS (240PCS - 4500K) (240PCS - 5700K)				
NG-UFO-200W	30000 Lm	640PCS (320PCS - 4500K) (320PCS - 5700K)	60°/ 90°/ 120°			
NG-UFO-240W	36000 Lm	640PCS (320PCS - 4500K) (320PCS - 5700K)				
NG-UFO-300W	45000 Lm	800PCS (400PCS - 4500K) (400PCS - 5700K)				
NG-UFO-400W	60000 Lm	480PCS SMD 3030 Chips	30°/ 60°/ 90°	Input Voltage 100-277VAC 50 ~ 60Hz Power Factor(>)>90		
NG-UFO-500W	75000 Lm	600PCS SMD 3030 Chips				

1. Open the box and take out the LED light and ring.

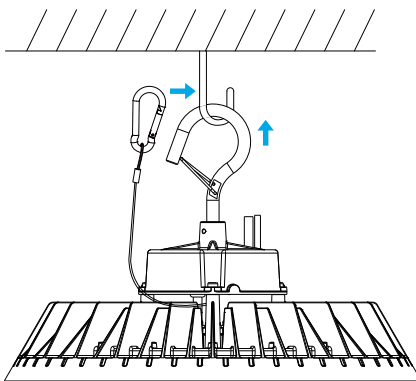
2. Install the ring into the light body as following diagram.



3. Hung the LED light with a sturdy hook.




4. Hang the safety wire one side to the lamp, another side to the sturdy hook shown by diagram.



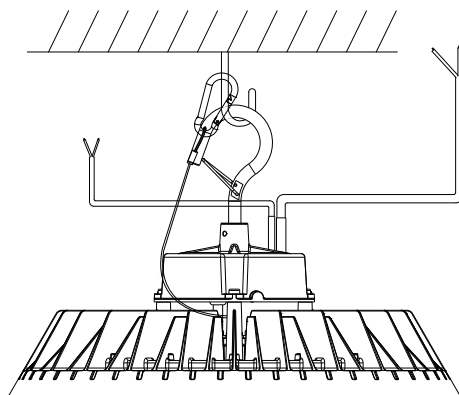
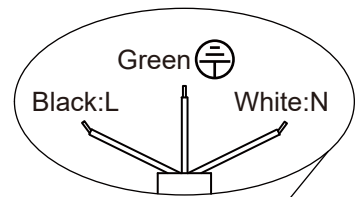
5. Connect wires as below diagram and turn on power to lighting.

Black wire : L

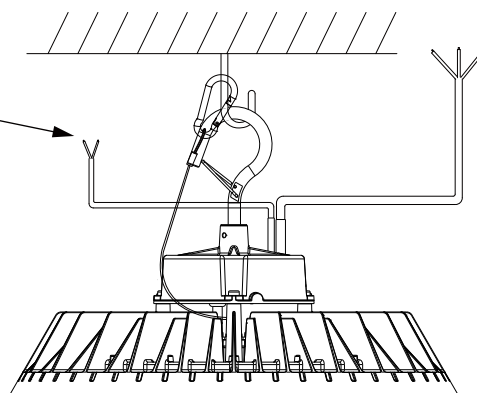
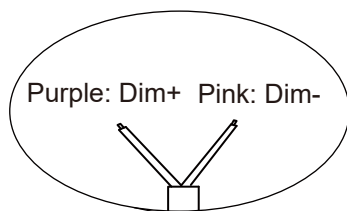
Green wire: 

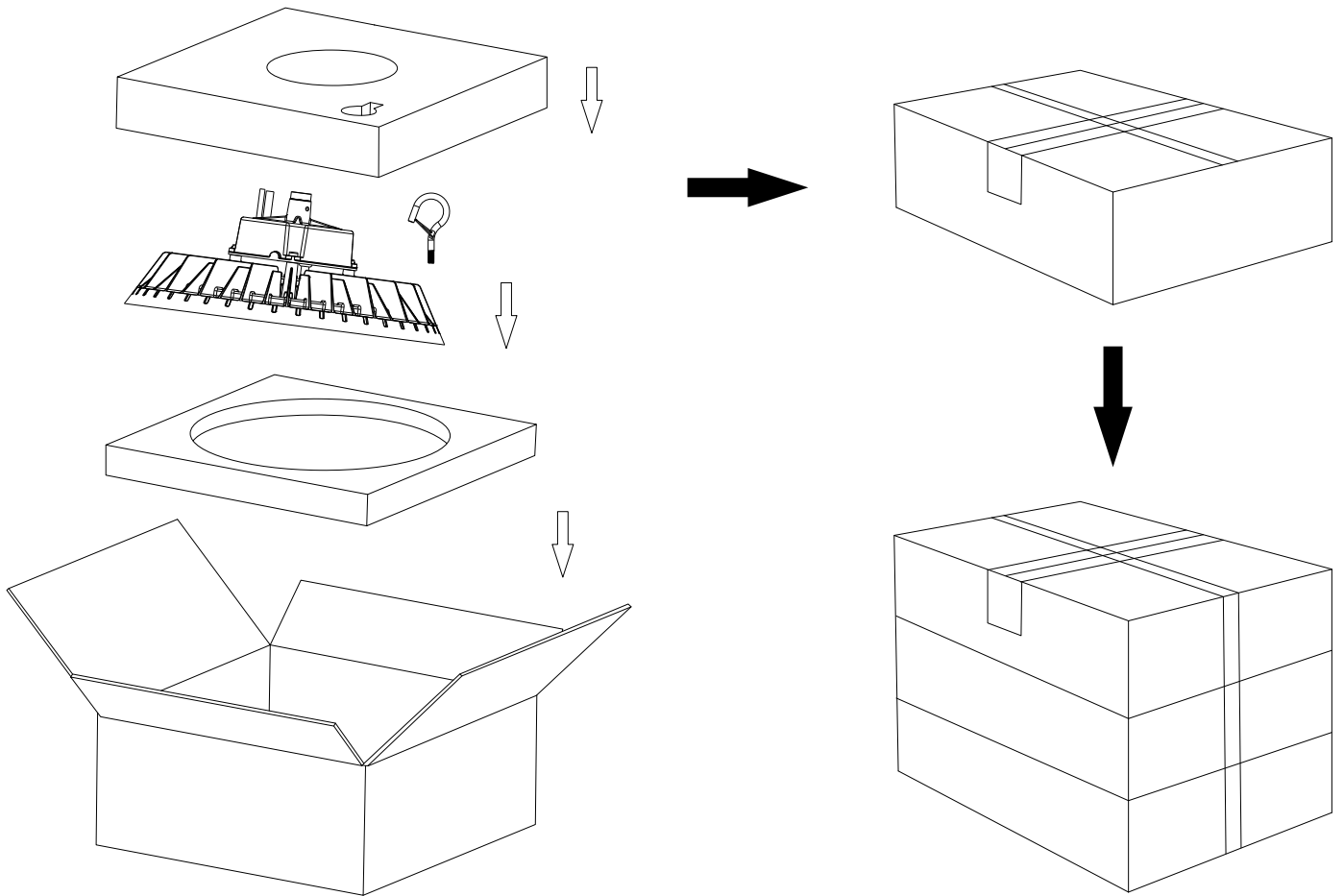
White wire : N

UL: (White:N)
(Green:GND)
(Black:L)



6. 0-10V DIM only valid for dimmable function (DIM+ DIM-), Pls ignore if no need dimmable or for Non-dimmable Model.





Power	Unit	Size	Gross Weight	Volume
NG-UFO-100W	6 PCS	580x300x585mm/ 22.83"*11.81"*23.03"	14 KG/ 30.86 lbs	0.102m ³
NG-UFO-150W	4 PCS	535x335x515mm/ 21.06"*13.19"*20.27"	11.5 KG/ 25.35 lbs	0.092m ³
NG-UFO-200W NG-UFO-240W	3 PCS	540x375x380mm/ 21.26"*14.76"*14.96"	11 KG/ 24.25 lbs	0.077m ³
NG-UFO-300W	3 PCS	570x415x420mm/ 22.44"*16.34"*16.53"	13 KG/ 28.66 lbs	0.099m ³
NG-UFO-400W NG-UFO-500W	2 PCS	520x500x520mm/ 20.47"*19.68"*20.47"	15.2 KG/ 33.51 lbs	0.135m ³