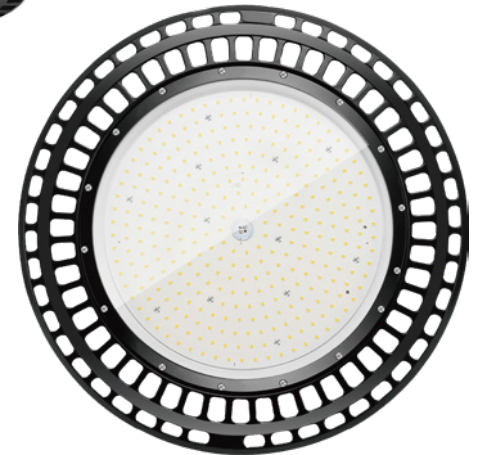


LED UFO LIGHT

LED LIGHTS MANUFACTURER

LED UFO LIGHT

- * LED UFO High Bay fixture design for indoor replace HID/ HPS/ MHL high bay lights.
- * Provide high performance 150LM/W and long lifespan 50,000 hours, perfect for commercial and manufacturing, gymnasiums, warehouse lighting fixtures, and retail aisles.
- * For applications with demanding temperature requirements such as facilities in southern climates.
- * This 300W, 400W, 500W UFO high bay and are suitable for 15, 25, 35 ft mounting heights.
- * Built in 0~10V dimming driver.
- * LED UFO high bay fixtures are listed on the ETL DLC UL Qualified Products list and are eligible for rebate.



Features

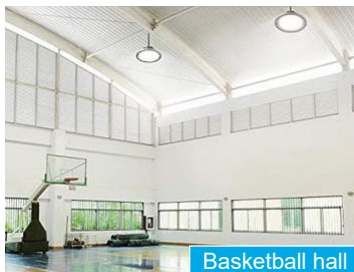
- * 0-10V dimming built-in driver
- * 150LM/W high light efficiency
- * 100-277V universal input voltage
- * Suitable for wet locations, IP65 rated
- * LED Lifetime L70 rating of >50,000 hours
- * UL ETL DLC listed 5 years warranty
- * Clear polycarbonate lens protect LED chips
- * Ambient operating temperature: -40 C ~40 C
- * 6kV built-in plus 10kV external surge protection
- * White or black paint finish available as an option
- * Emergency Battery Backup Available as an option
- * 6' cord ring bolt mounting accessory and safety hanging kit

Applications

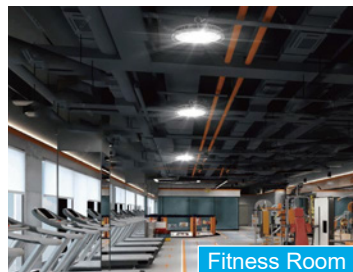
LED UFO high bay are ideal for replacing HID/ HPS/ MHL high bay fixtures. Applications such as warehouses workshop and manufacturing facilities and industrial buildings any indoor or outdoor commercial and industrial area.



Workshop



Basketball hall



Fitness Room

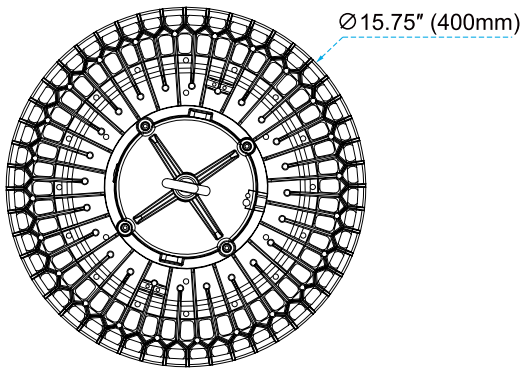
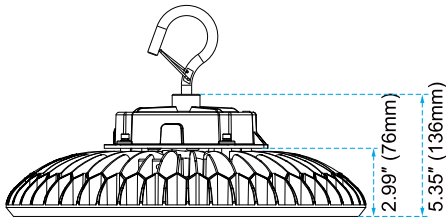


Storehouse

DIMENSIONS

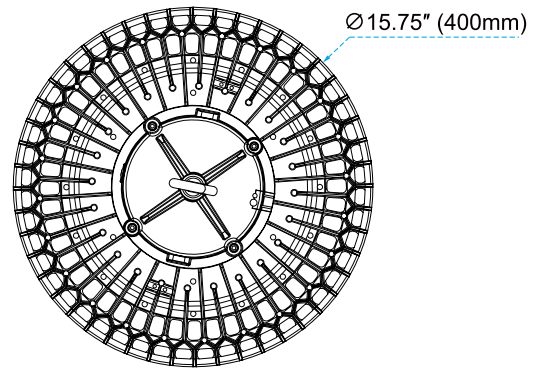
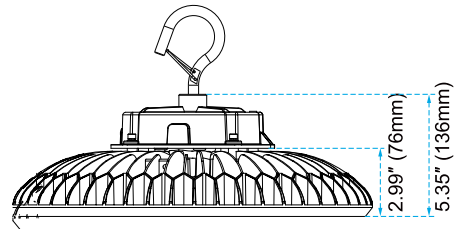
300W

Weight: 5500g/ 12.13 lbs



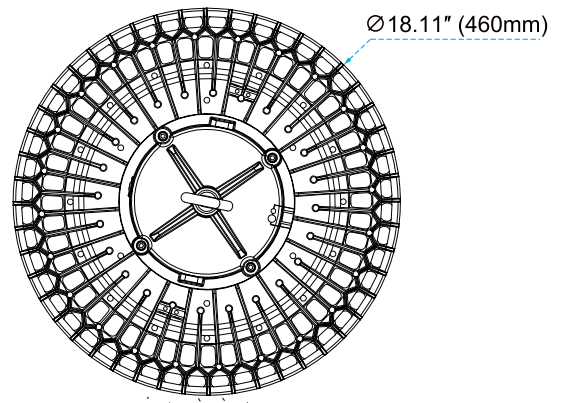
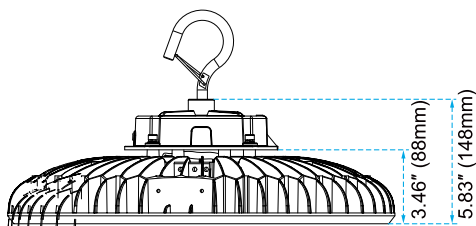
400W

Weight: 5800g/ 12.79 lbs



500W

Weight: 9000g/ 19.84 lbs

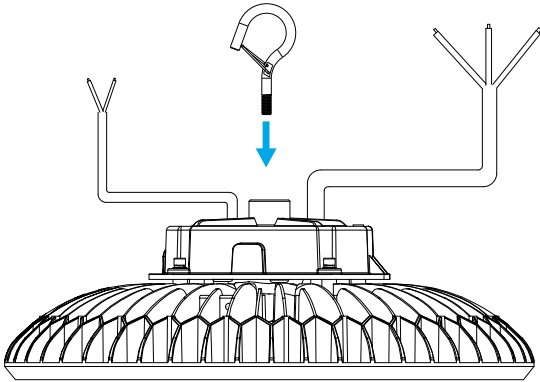


Series	Lumens	LED Type	DLG	UL LISTED	ETL Intertek	Beam Angle (Degree)	Electrical Data	Color Temperature	Color Rendering Index
NG-UFO-300W	45000 Lm	320 PCS SMD 3030 Chips	✓	✓		120°	Input Voltage 100-277VAC 50~60Hz Power Factor(>)>90	WW: 3000K NW: 4000K DW: 5000K CW: 5700K	Ra≥80
NG-UFO-400W	60000 Lm	464 PCS SMD 3030 Chips	✓		✓				
NG-UFO-500W	75000 Lm	600 PCS SMD 3030 Chips	✓		✓				

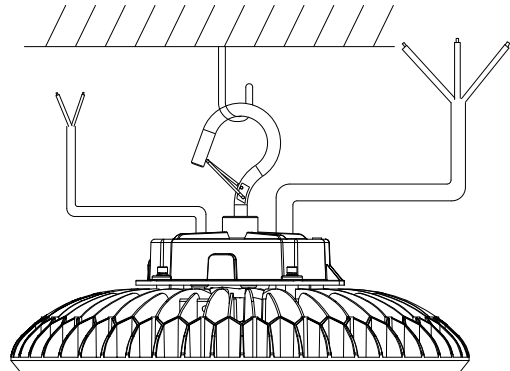
INSTALLATION INSTRUCTIONS

1. Open the box and take out the LED light and ring.

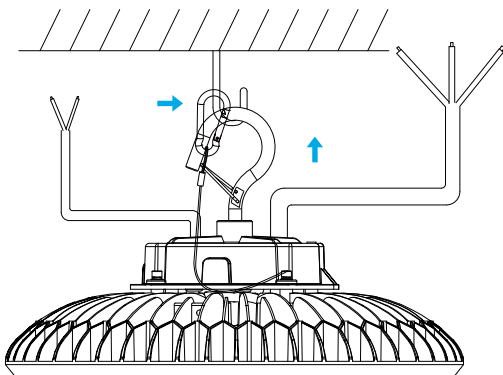
2. Install the ring into the light body as following diagram.



3. Hung the LED light with a sturdy hook.



4. Hang the safety wire one side to the lamp, another side to the sturdy hook shown by diagram.

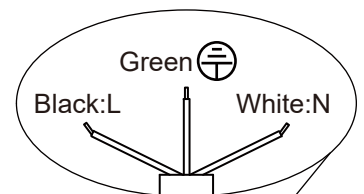


5. Connect wires as below diagram and turn on power to lighting.

Black wire : L

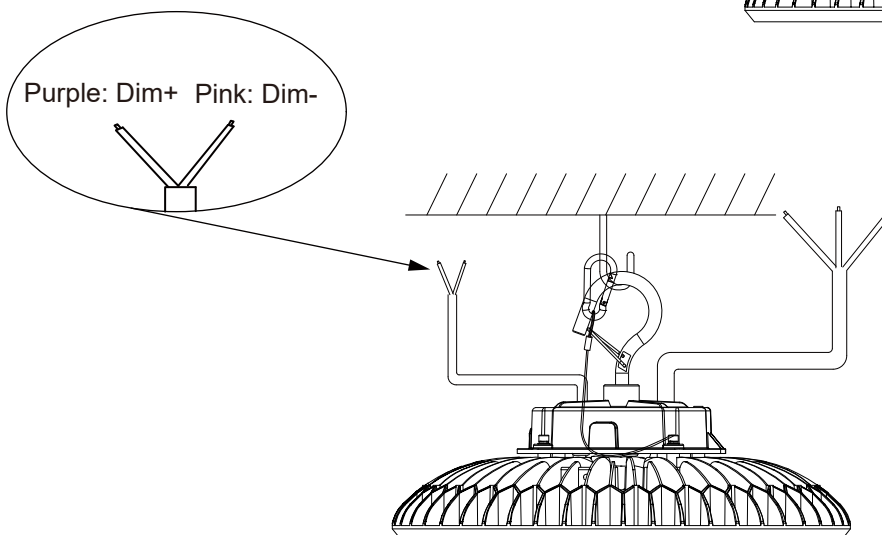
Green wire: 

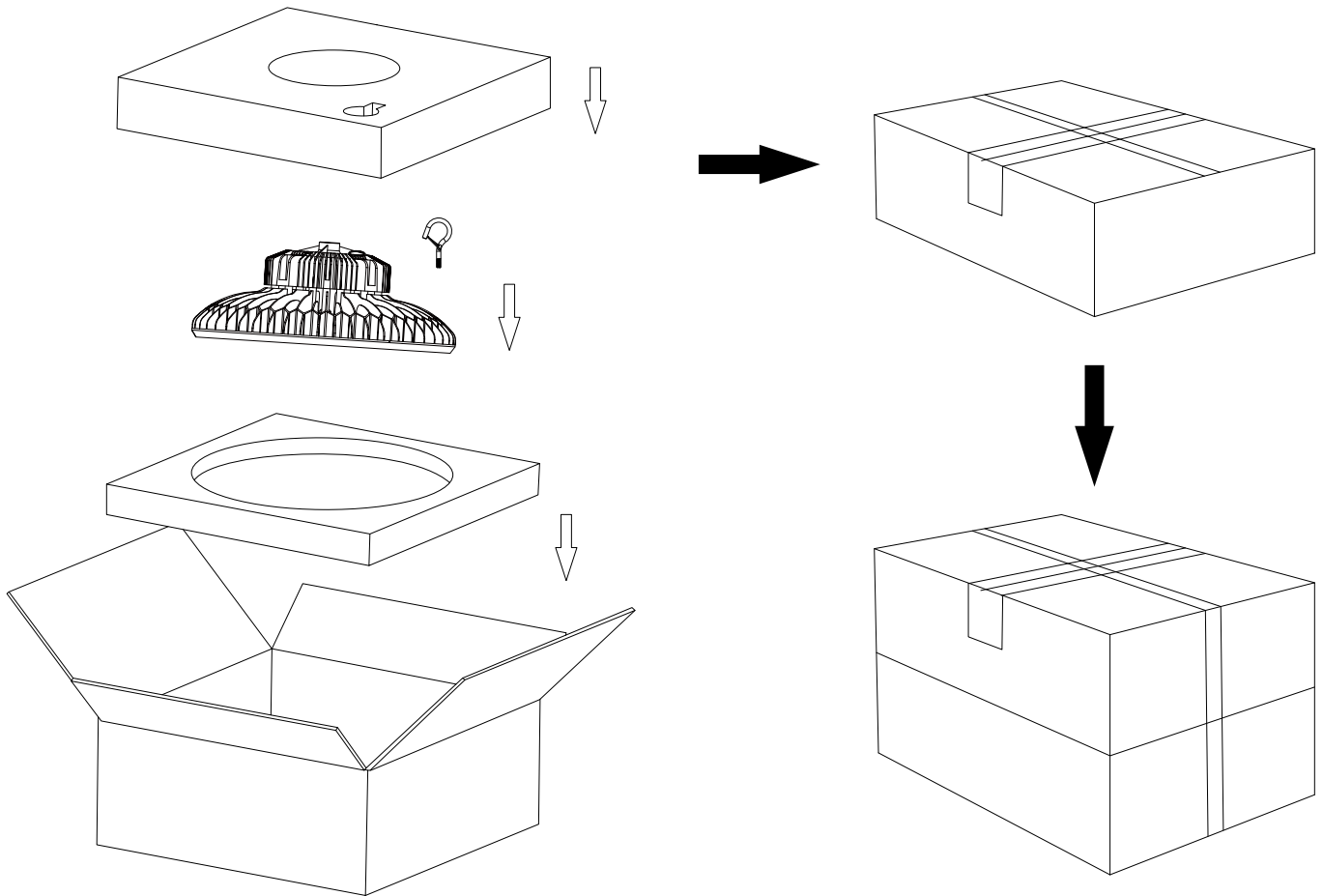
White wire : N



6. 0-10V DIM only valid for dimmable function(DIM+ DIM-), Pls ignore if no need dimmable or for Non-dimmable Model.

Purple: Dim+ Pink: Dim-





Power	Unit	Size	Gross Weight	Volume
NG-UFO-300W	1 PC	425x425x190mm/ 16.73**16.73**7.48"	6.4 KG/ 14.11 lbs	0.034m ³
	2 PCS	445x410x445mm/ 17.52**16.14**17.52"	13.8 KG/ 30.42 lbs	0.081m ³
NG-UFO-400W	1 PC	425x425x190mm/ 16.73**16.73**7.48"	6.6 KG/ 14.55 lbs	0.034m ³
	2 PCS	445x410x445mm/ 17.52**16.14**17.52"	14.5 KG/ 31.97 lbs	0.081m ³
NG-UFO-500W	1 PC	520x520x190mm/ 20.47**20.47**7.48"	10.5 KG/ 23.15 lbs	0.051m ³