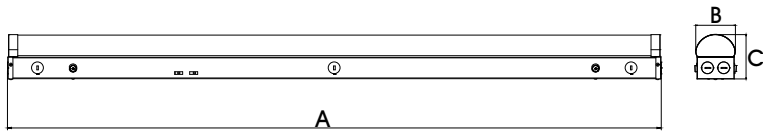


SPECIFICATION

LED Linear Strip Light



Maximum overall	A	B	C
4FT	1220mm	74mm	84mm
8FT	2420mm	74mm	84mm



FEATURES

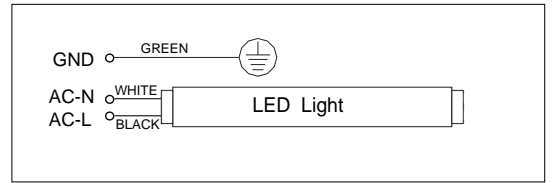
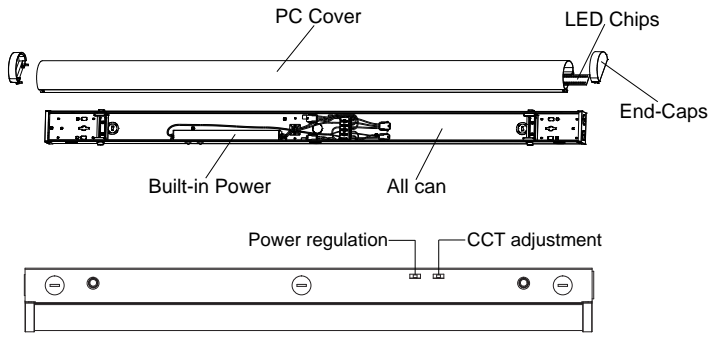
Input voltage:	AC100-277V
Operating frequency:	50/60Hz
Power factor:	≥ 0.90
Ambient temperature range:	-20°C ~+40°C
Color Temp:	2700/3500/4000/5000/5700K
Dimmable:	0-10V dimming
THD:	<20%
IP Rating:	IP20
CRI:	>80Ra
Beam angle:	120°
Cover:	Frosted

- Luminous Flux:>130 lm/w
- 5 years' warranty

PARAMETER

Length (ft)	Product code	Certification	CRI	Wattage	Lumens	Packing/carton	Weight/carton
4ft	NG-STL-50W	ETL/cETLus,DLC,	>80	25/30/35/40/50W	6500lm	126x200x220mm 4pieces 1X40HQ Loading=4752PCS	7.5kg
8ft	NG-STL-100W	ETL/cETLus,DLC,	>80	50/70/80/90/100W	13000lm	2460x200x220mm 4pieces 1X40HQ Loading=2112PCS	14kg

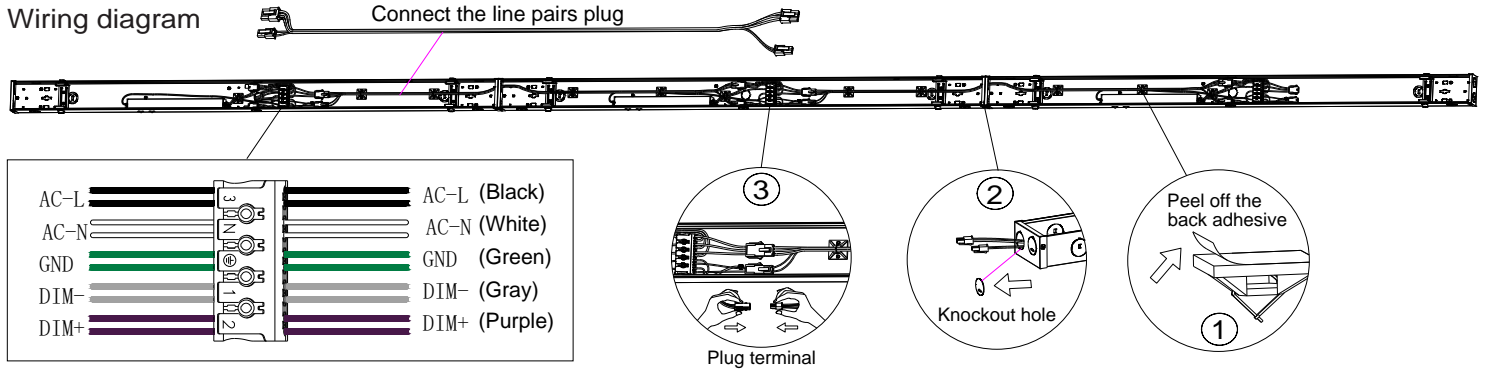
MOUNTING GUIDES



Electric Shock Attention

Ensure the power supply has been cut off before connecting the wire, and all wiring and installation of this product are required to be operated by professionals.

Wiring diagram



INSTALLATION INSTRUCTION

A. Surface-mounted installation

1. Punch a hole on the wall and put the expansion tube inside.

4FT: LF=34.80"
8FT: LF=35.35" & 84.13"

2. Turn off the power and wiring by using wire nuts.

BLACK (LINE)
WHITE (NEUTRAL)
GREEN (GND)
PURPLE (DIM+)
PINK (DIM-)
Dimming 0-10V

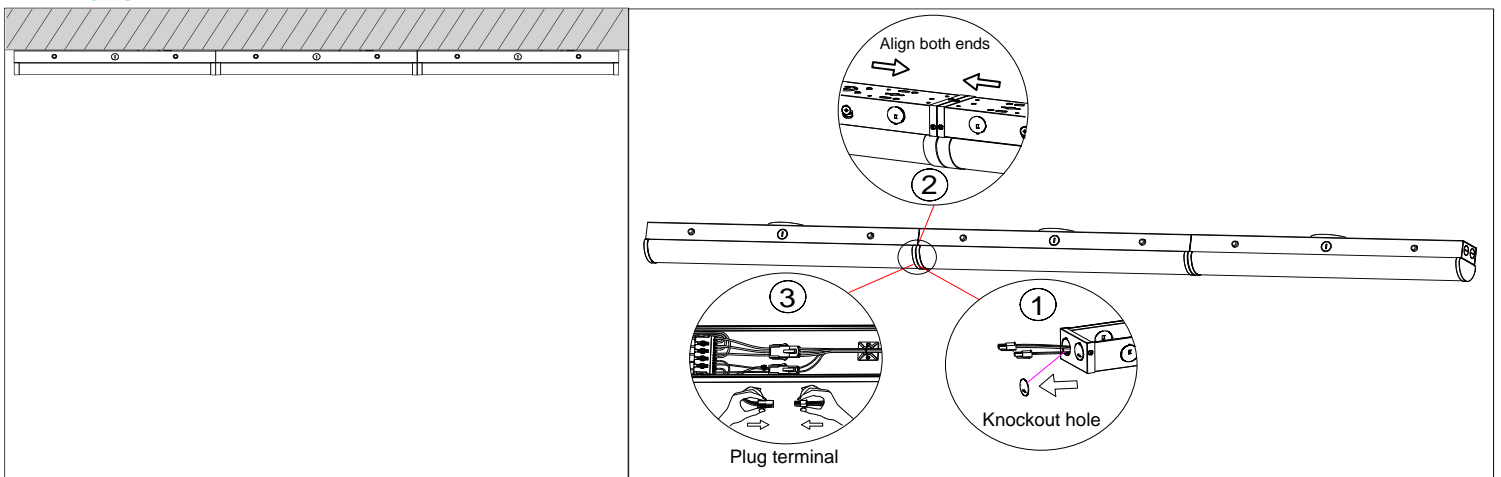
3. Secure the fixture on the wall and lock it in tight.

4. Press upward the cover, push side button and press, then lock it with springs tightly which located into the fixture.

5. The installation completed.

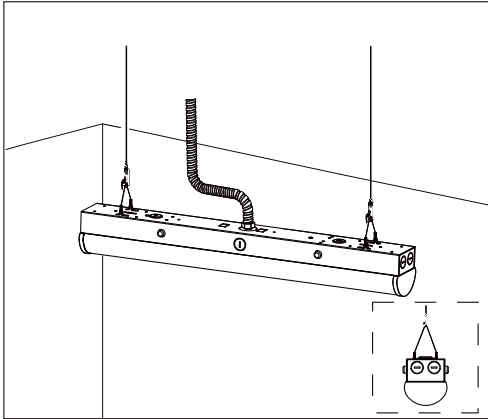
6. Press the buckle on both sides and remove, if you need to disassemble the cover.

Link Pattern

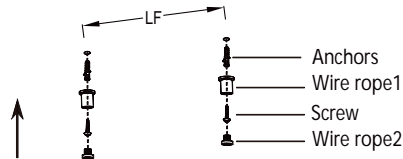


MOUNTING GUIDES

B. Suspending installation

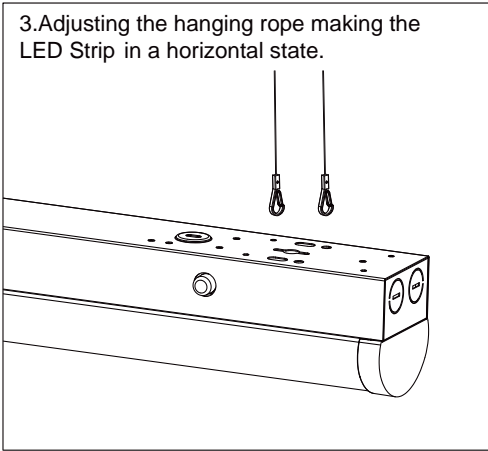
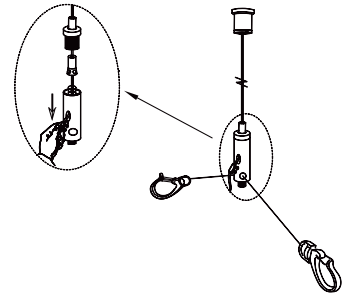


1. Fixing the hook and suspending the lamp.

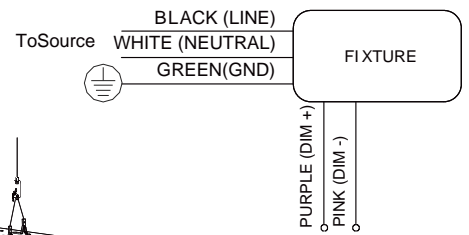
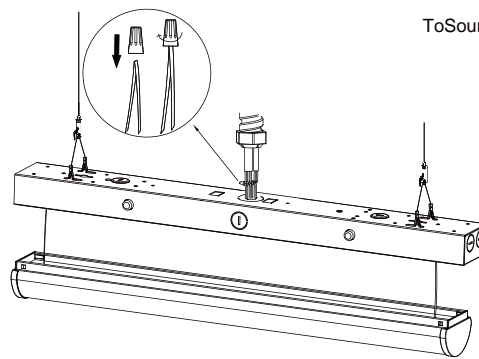


4FT: LF=41.19"
8FT: LF=35.59" & 90.50"

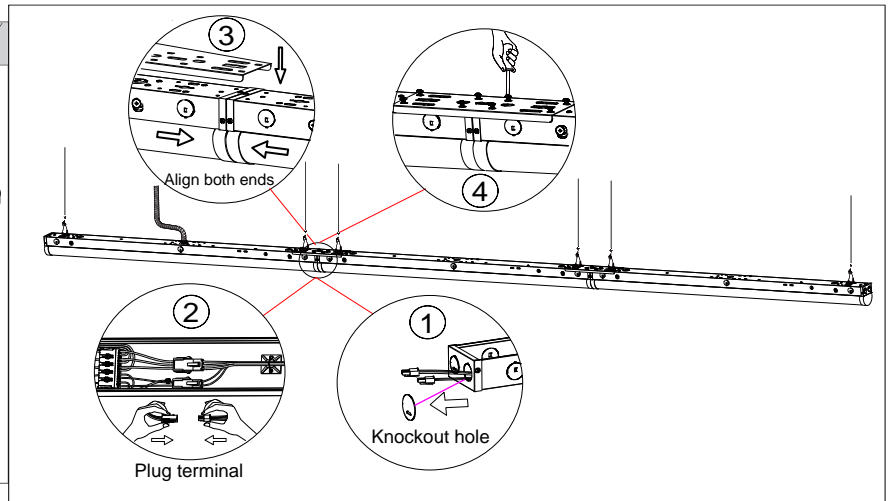
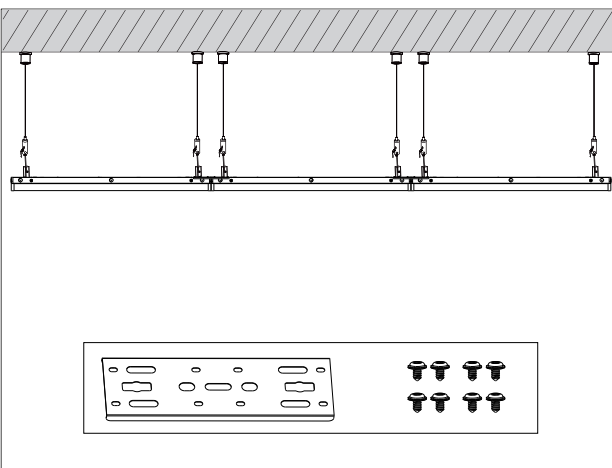
2. Adjusting the hanging rope length.



4. Turn off the power and wiring by using wire nuts.



Link Pattern



Warning:

1. Please read the instructions carefully before installation.
2. Please make sure the power is off before installation.
3. The installation can only be done by certified electricians.
4. Product rated voltage is 100-277 Volts. Please make sure voltage range meets the requirements
5. please don't use chemicals to clean the lighting surface.