

LED BARN LIGHT



Dusk-to-dawn LED Outdoor Barn Light (Photocell Included)

Model No.: NG-SP-35W NG-SP-50W NG-SP-80W NG-SP-100W NG-SP-120W
Power: 35W 50W 80W 100W 120W

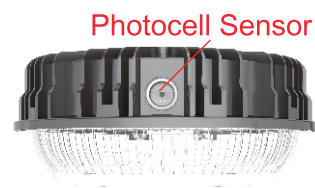
Features

- Universal voltage AC100-277V 50/60Hz.
- 150lm/W for fixture.
- Using high quality SMD2835 chips.
- Constant current power supply.
- High Power Factor >0.9, Low THD Driver.
- Constructed from die-cast aluminium, with a PC cover, and rated at IP65.
- Respirator design: Balance the different pressure between the atmosphere and the shell, it is water proof also defog and avoiding the drop condensation, extend the product lifespan.
- 5 years Warranty.
- Available with Photocell.

NG-SP-35W NG-SP-50W

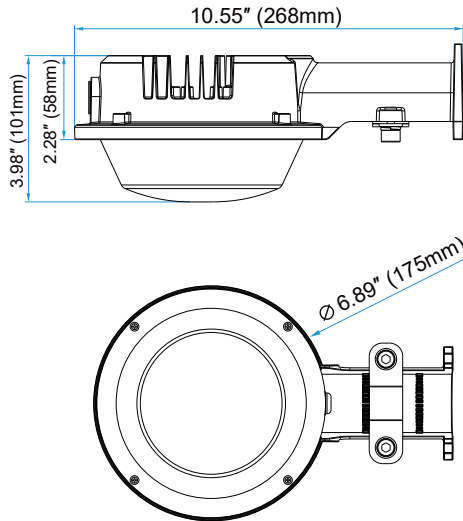


NG-SP-80W NG-SP-100W NG-SP-120W

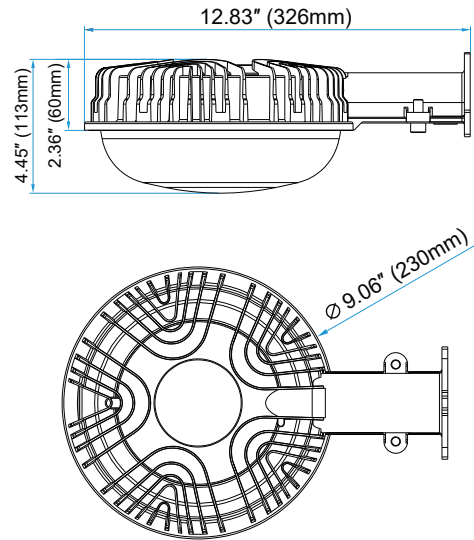


Drawing Unit: inch/mm

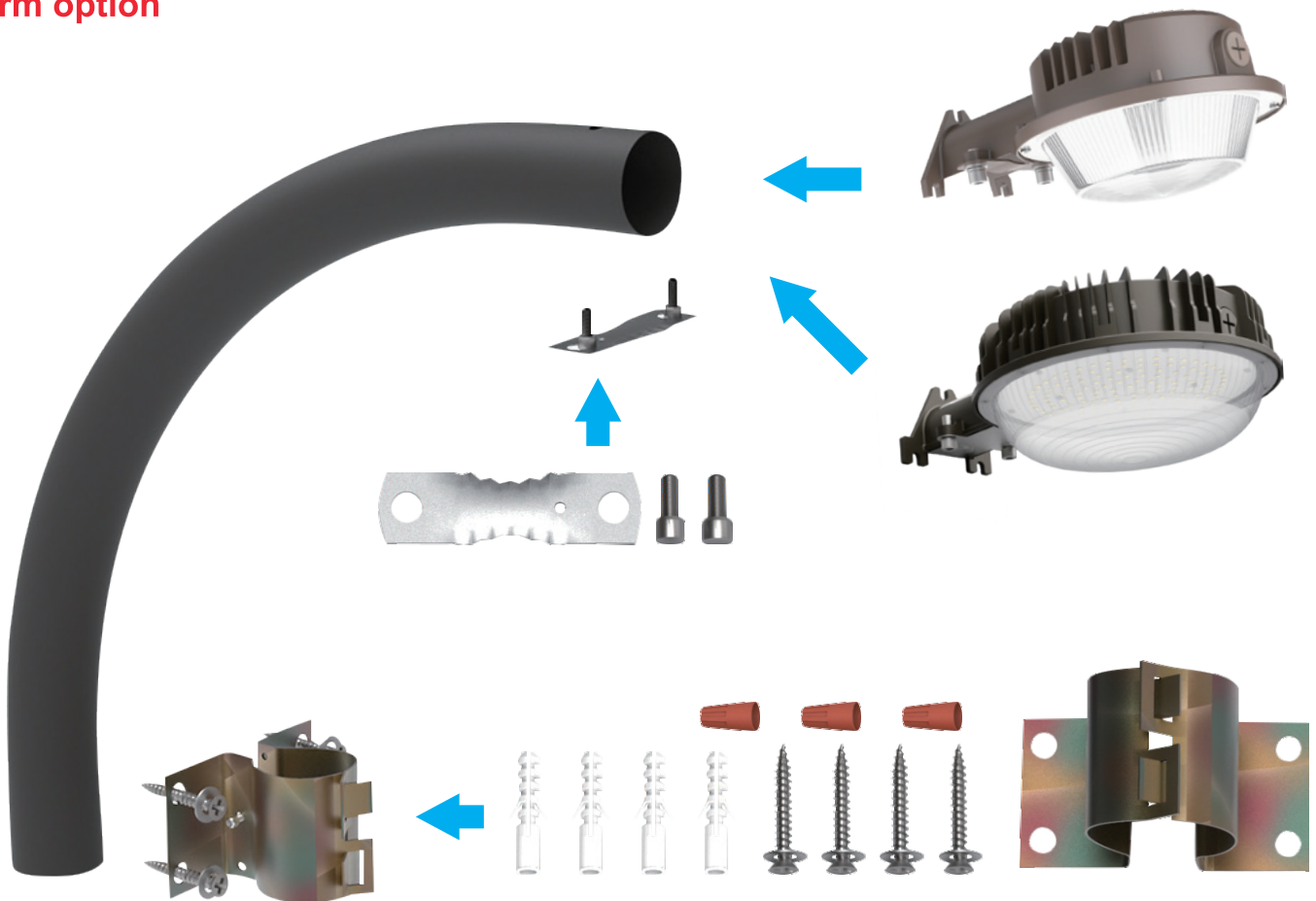
NG-SP-35W NG-SP-50W

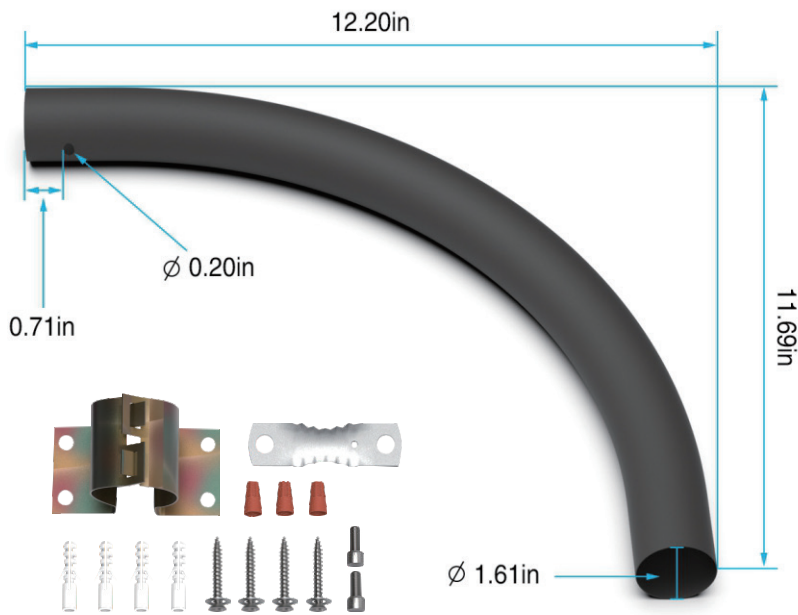


NG-SP-80W NG-SP-100W NG-SP-120W



Arm option





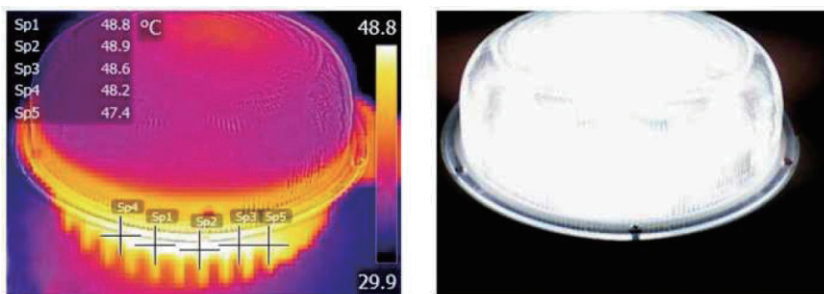
Application

Widely used in Shopping mall, hotel, shop, showroom, cafe, restaurant, garden, porch, etc.



Chip Temperature Test

Great heat dissipation performance, good for LED lifespan



Parameters

Item	Model	NG -SP-35W	NG -SP-50W
General Performance	Power	35W	50W
	Lumen Output	5250 lm	7500 lm
	Efficacy	150 lm/W	150 lm/W
	Color Temperature	3000K/4000K/5000K/5700K	3000K/4000K/5000K/5700K
	LED type	SMD 2835	SMD 2835
	CRI	Ra>80	Ra>80
Electrical	Power Factor	>0.9	>0.9
	Input Voltage	100-277VAC,50/60Hz	100-277VAC,50/60Hz
	THD	<20%	<20%
	Beam angle	120°	120°
Physical	Weight	2.2Kg	2.5Kg
	Dimension	268x175x101mm	268x175x101mm
	Housing	Die-cast aluminum	Die-cast aluminum
	Cover	PC	PC
	Mounting	Wall Mounting	Wall Mounting
	Operation Temperature	-35℃~55℃	-35℃~55℃
	Finish	Black	Black
	IP rated	Ip65	Ip65
Certificate	Certificate	CE, RoHS	CE, RoHS
	Material Usage	RoHS compliant	RoHS compliant
	Driver Class	Class II	Class II
	LED Class	Rated to 50,000 hours	Rated to 50,000 hours

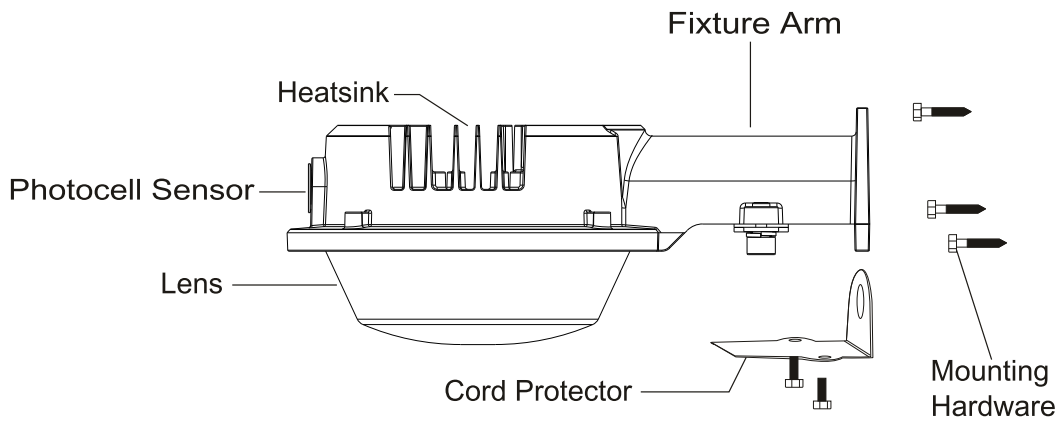
(The "XX" represents Color temperature.)

Item	Model	NG -SP-80W	NG -SP-100W	NG -SP-120W
General Performance	Power	80W	100W	120W
	Lumen Output	12000 lm	15000 lm	18000 lm
	Efficacy	150 lm/W	150 lm/W	150 lm/W
	Color Temperature	3000K/4000K/5000K/5700K	3000K/4000K/5000K/5700K	3000K/4000K/5000K/5700K
	LED type	SMD 2835	SMD 2835	SMD 2835
	CRI	Ra>80	Ra>80	Ra>80
Electrical	Power Factor	>0.9	>0.9	>0.9
	Input Voltage	100-277VAC,50/60Hz	100-277VAC,50/60Hz	100-277VAC,50/60Hz
	THD	<20%	<20%	<20%
	Beam angle	120°	120°	120°
Physical	Weight	2.7Kg	2.85Kg	2.95Kg
	Dimension	325x230x123mm	325x230x123mm	325x230x123mm
	Housing	Die-cast aluminum	Die-cast aluminum	Die-cast aluminum
	Cover	PC	PC	PC
	Mounting	Wall Mounting	Wall Mounting	Wall Mounting
	Operation Temperature	-35℃~55℃	-35℃~55℃	-35℃~55℃
	Finish	Gray	Gray	Gray
	IP rated	Ip65	Ip65	Ip65
Certificate	Certificate	ETL , cETL , CE , RoHS	ETL , cETL , CE , RoHS	ETL , cETL , CE , RoHS
	Material Usage	RoHS compliant	RoHS compliant	RoHS compliant
	Driver Class	Class II	Class II	Class II
	LED Class	Rated to 50,000 hours	Rated to 50,000 hours	Rated to 50,000 hours

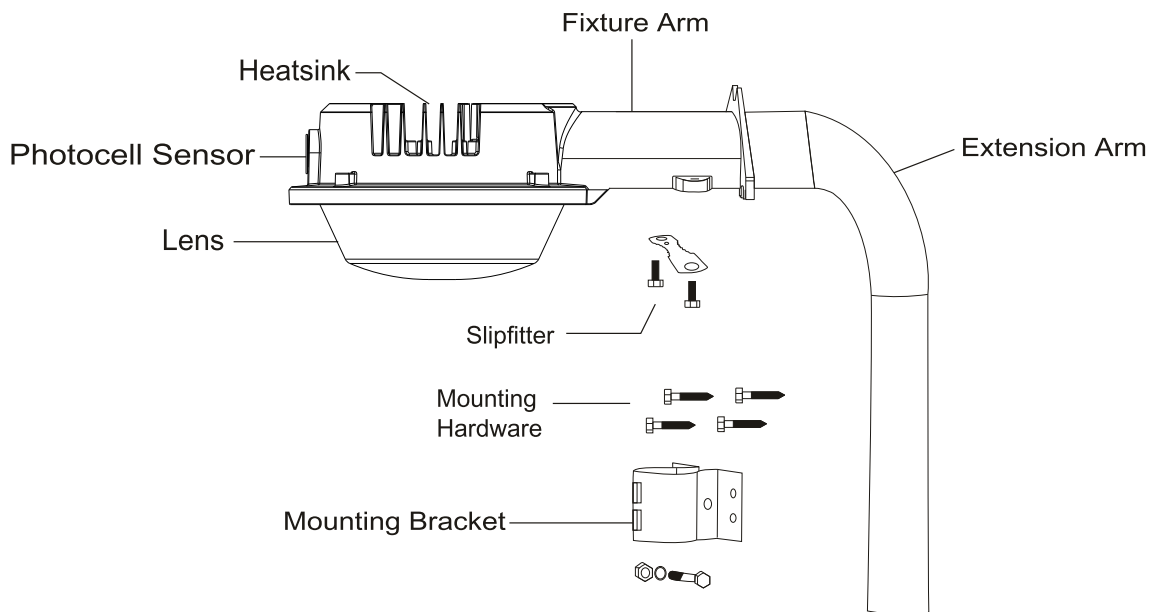
NG-SP-35W NG-SP-50W

1. Dusk-to-dawn LED Outdoor Barn Light luminaire features a design that can be mounted to any vertical surface using lag bolts or other comparable and suitable anchors, with a wiring compartment that is easily accessible without the need to remove the lens or disassemble the fixture.
2. Dusk-to-dawn LED Outdoor Barn Light can also be mounted to existing 1-1/2" or 1-5/8" pipe mounts, offering the installer the flexibility to satisfy many different mounting applications and requirements.
3. This is especially useful when using the LED Outdoor Barn Light to retrofit older dusk-to dawn luminaires.

INSTALLATION#1-Wall Mounting:



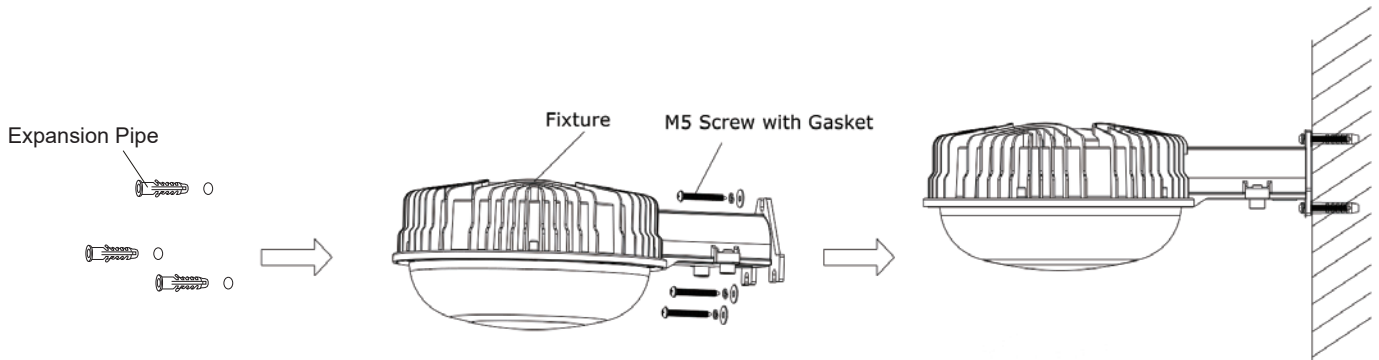
INSTALLATION #2 -Arm Mounting



NG-SP-80W NG-SP-100W NG-SP-120W

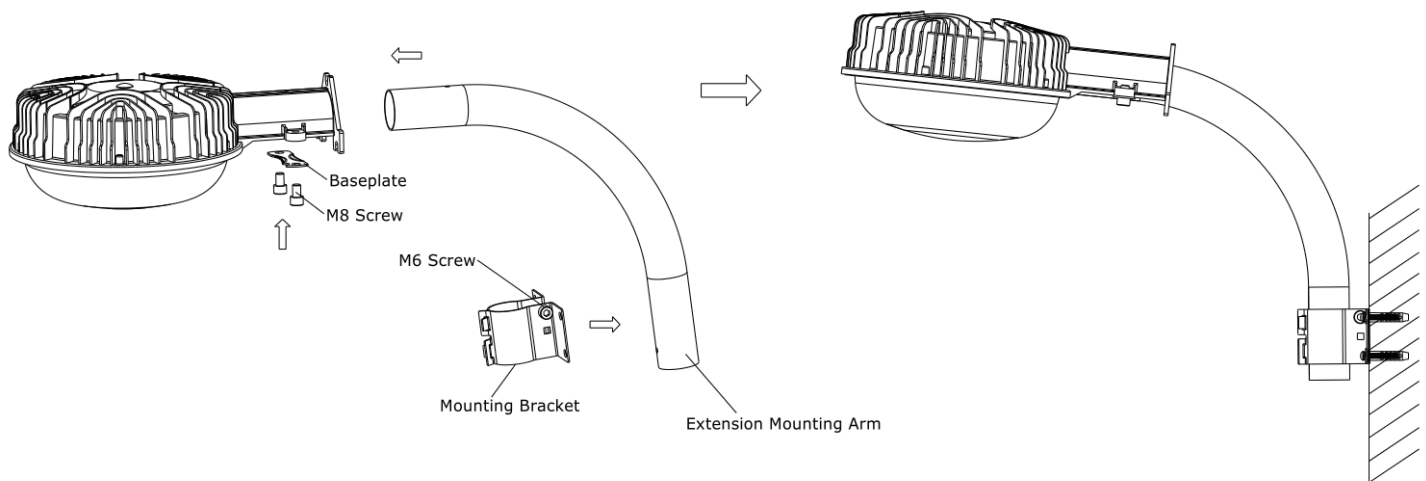
INSTALLATION#1-Wall Mounting:

1. Drill three holes into the wall, then screw the expansion pipe into the holes
2. Connect AC Power Line, Black-L wire, White-N Wire, Green-E Wire
3. Tighten three M5 screws with gaskets to fix the light on the wall



INSTALLATION #2 -Arm Mounting(Kindly Note: Mounting Hardware is not included):

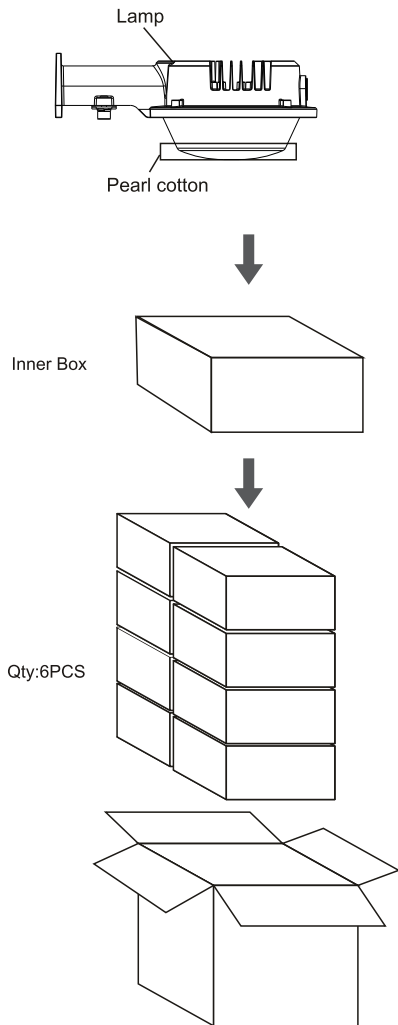
1. Connect AC Power Line, Black-L wire, White-N Wire, Green-E Wire
2. Tighten the mounting bracket on the extension arm with M6 screw, then install the baseplate and two M8 screw to fix the arm on the fixture
3. Drill into the wall, then screw the expansion pipe into the holes
4. Tighten Four M5 screws to fix the light on the wall



Packaging: Wall Mounting

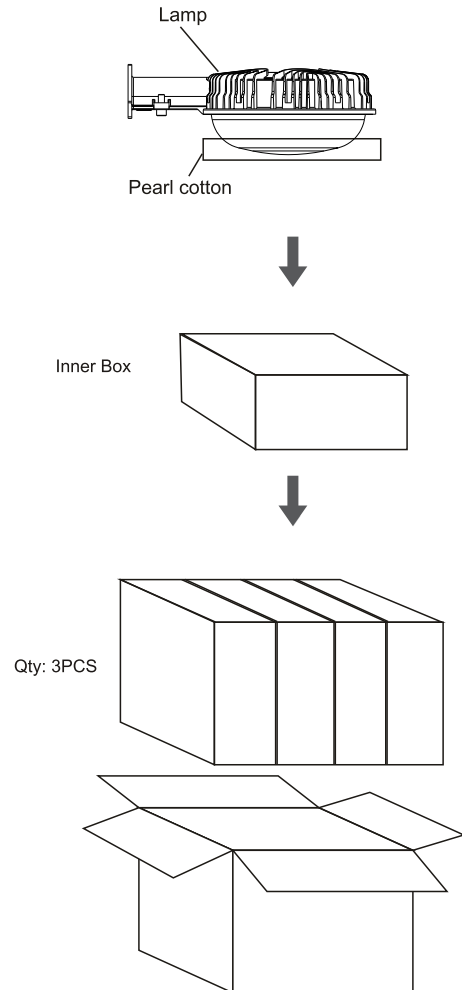
No.	Model	Power	N.W.	Inner Box	Qty/ctn	G.W	Outer Carton
1	NG-SP-35W	35W	2.2Kg	296x203x132mm	8	10.5KG	570x315x435mm
2	NG-SP-50W	50W	2.5Kg	296x203x132mm	8	11.5KG	570x315x435mm
3	NG-SP-80W	80W	2.7Kg	380x280x145mm	4	13.5KG	645x395x310mm
4	NG-SP-100W	100W	2.85Kg	380x280x145mm	4	14.0KG	645x395x310mm
5	NG-SP-120W	120W	2.90Kg	380x280x145mm	4	14.5Kg	645x395x310mm

NG-SP-35W NG-SP-50W



Inner Box: 296x203x132mm (11.7"x8"x5.2")
 Qty/ctn: 8PCS
 Outer Carton4 570x315x435mm (22.4"x12.4"x17.1")

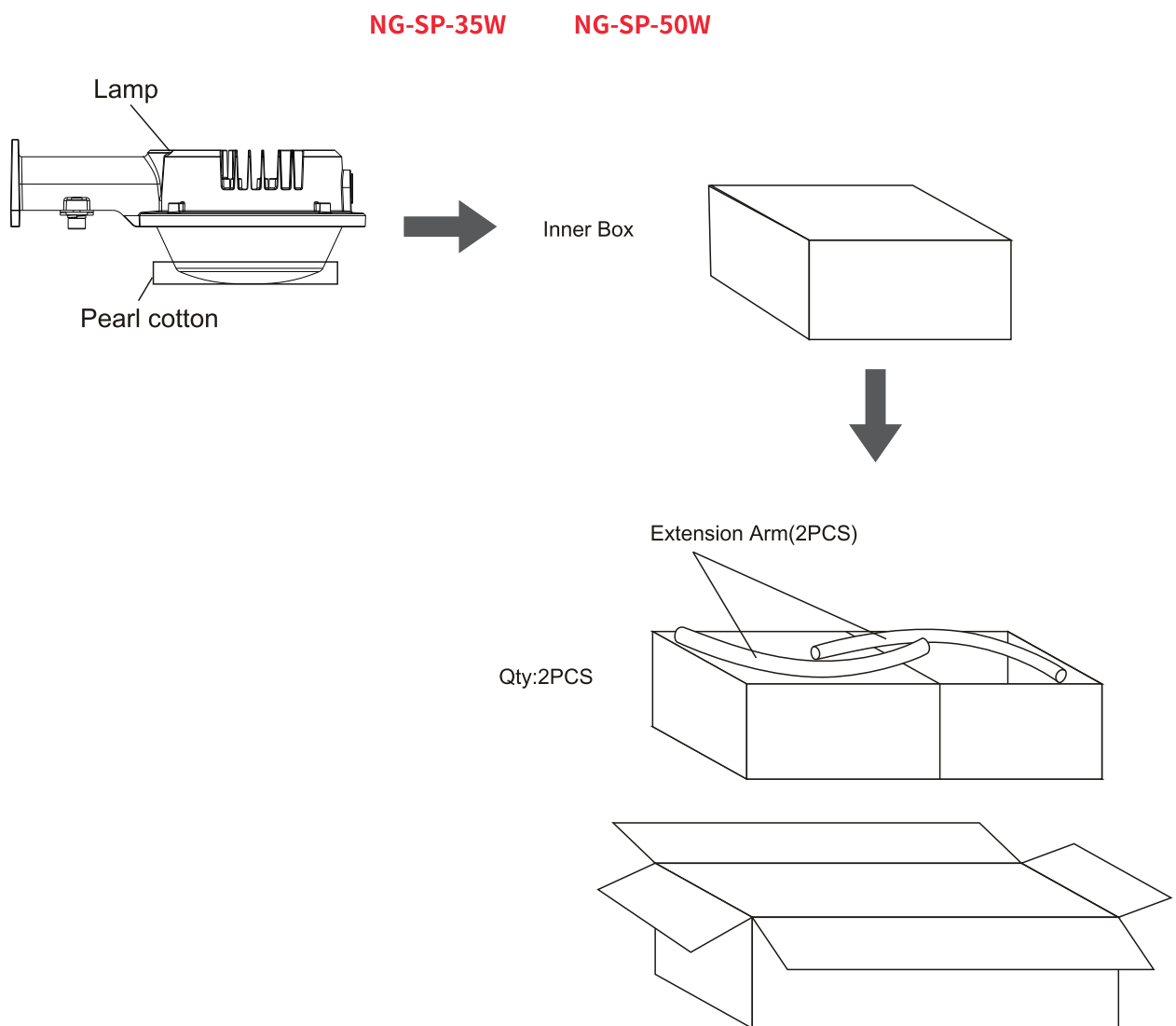
NG-SP-80W NG-SP-100W NG-SP-120W



Inner Box: 380x280x145mm (15"x11"x5.7")
 Qty/ctn: 4PCS
 Outer Carton5 645x395x310mm (25.4"x16"x12.2")

Packaging: Arm Mounting

No.	Model	Power	N.W.	Inner Box	Qty/ctn	G.W	Outer Carton
1	NG-SP-35W	35W	2.95Kg	296x203x132mm	2	6.9KG	570x315x435mm
2	NG-SP-50W	50W	3.25Kg	296x203x132mm	2	7.5Kg	570x315x435mm
3	Arm		0.73KG	430x140x53mm	27	21.5kg	470x445x445mm



Inner Box: 296x203x132mm (11.7"x8"x5.2")
 Qty/ctn: 2PCS
 Outer Carton 625x240x170mm(24.6"x9.4"x6.7")