

LED Parking Lot Light

- 150W~360W LED Shoebox fixture with photocell function easy switch to no photocell function.
- Adopt high transmittance protective lens and 150LM/W.
- SMD 3030 with Type II, Type III, Type V distributions for options.
- High strength aluminum housing with bronze UV resistant powder coat finish offers durable outstanding corrosion protection and make sure good heat dissipation and long lifespan.



Features

- 150W 200W 240W 320W 360W
- High transmittance protective lens
- ETL, cETL, DLC, CE approved
- Type II, Type III, Type V distributions
- Photocell auto switch to regular
- IP65 dust free and waterproof
- Die-casting housing anti-corrosion
- 6K High voltage surge test approved
- SMD3030 150Lm/W LED chips
- 120-277, 277-480VAC input
- 50,000hrs lifespan
- Ambient operating temperature -40°C to 45°C
- Slip fitter, All in one, Square round, Yoke, Universal pole bracket
- Replace 400~2000W metal halide/HPS
- No magnetic disturbance driver design
- Adjustable wattages: 60%/ 80%/ 100%
- Adjustable CCT: 3000K/ 4000K/ 5000K
- Microwave sensor kits Optional

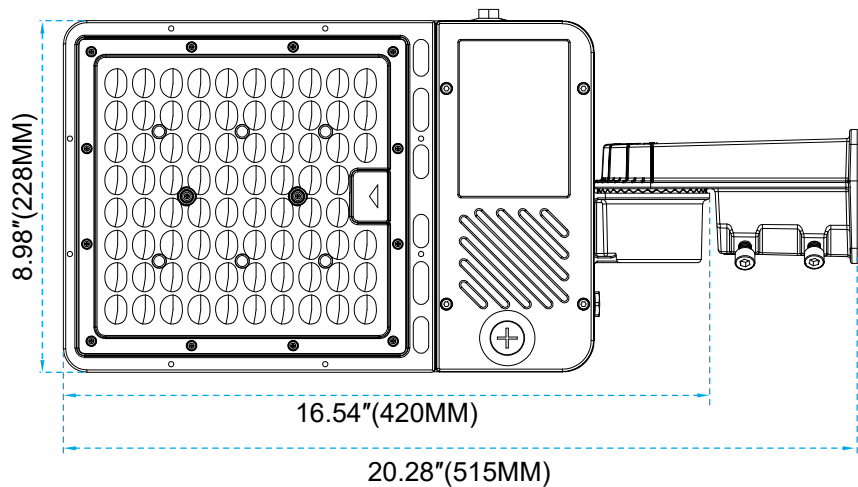
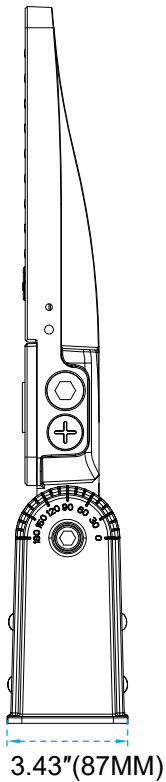
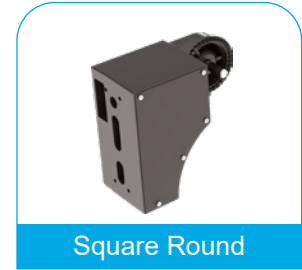
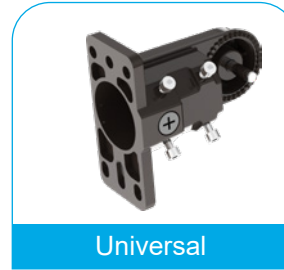
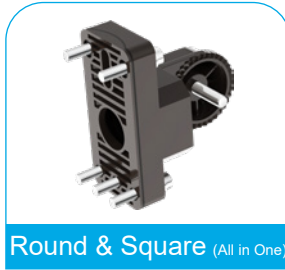
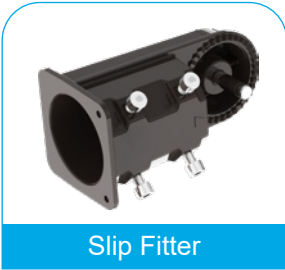


Applications

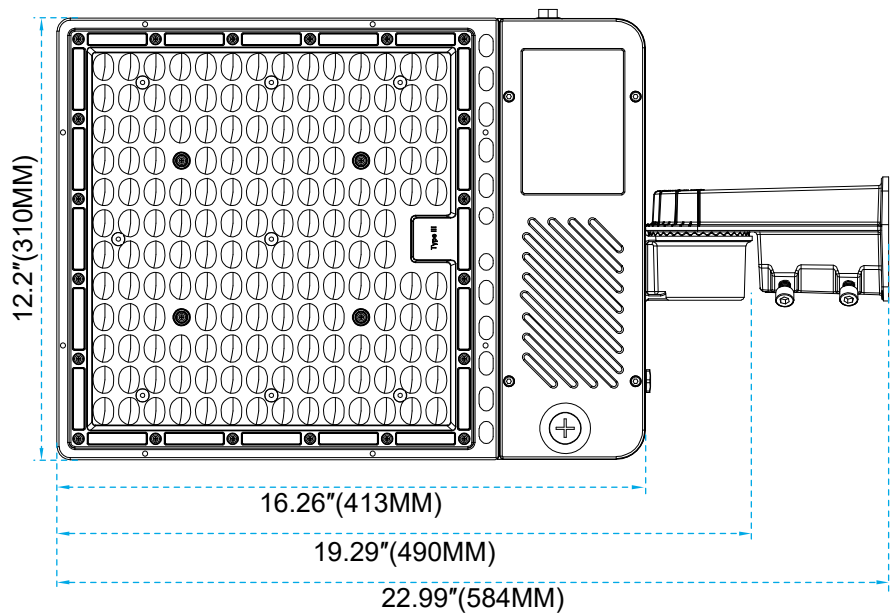
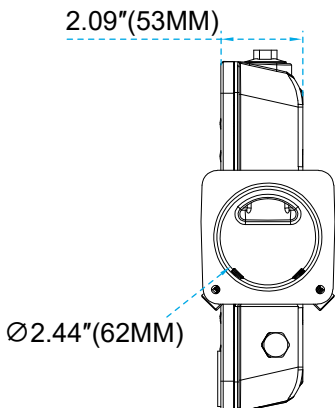
LED Parking Lot Light series can be widely used in urban roads, industrial areas, residential areas, sidewalks, parking lot, schools, gardens and etc.



Series	Lumens	LED Quantity	Wiring	LED Type	Beam Angle Degree	Electrical Data	Color temperature	Color rendering index
NG-NPL-150W	22500 Lm	304PCS (152PCS - 3000K) (152PCS - 5000K)	LIVE NAUGHT EARTH Dim + Dim -	SMD 3030 chips	TYPE II TYPE III TYPE V	Input Voltage 120-277VAC 277-480VAC 50/60 Hz Power Factor(>)>0.9	WW 3000K NW 4000K DW 5000K CW 5700K	Ra>70 Ra>80 Ra>90
NG-NPL-200W	30000 Lm	304PCS (5000K)						
NG-NPL-240W	36000 Lm	640PCS (320PCS - 3000K) (320PCS - 5000K)						
NG-NPL-320W	48000 Lm	640PCS (320PCS - 3000K) (320PCS - 5000K)						
NG-NPL-360W	54000 Lm	640PCS (320PCS - 3000K) (320PCS - 5000K)						



150W 200W



240W 320W 360W

Light sensor cap
Photocell sensor
CCT & Wattage selector switch cap

Black--L
White--N
Green--GND

DIM + / DIM -

Lamp post

Screw 1/2-13

Screw 3/8-16*1

1. Cut off the power, connect wires correctly then insulate them.
2. Insert the fixture onto the light pole and securely tighten the pole locking screws.
3. Remove the CCT & Wattage selector switch cap, select the power and CCT you need then screw on.
Remove the light sensor cap if you need the light sensor function.
4. Connect the power and turn on the light.

Slip fitter

Spring washer
Flat gasket
Screw 7/16 14*2

Light sensor cap
Photocell sensor
CCT & Wattage selector switch cap

Screw 1/2-13

Flat rubber gasket

Mounting Plate

DIM + / DIM -

Black--L
White--N
Green--GND

Lamp post

12 126 54

30

Rectangular Bracket Block (Unit: mm)

Screw 7/16-14*2

1. Cut off the power, connect wires correctly then insulate them.
2. Install the light fixture and tighten the screws.
3. Remove the CCT & Wattage selector switch cap, select the power and CCT you need then screw on.
Remove the light sensor cap if you need the light sensor function.
4. Connect the power and turn on the light.

Spring washer
Flat gasket
Screw 7/16 14*2

Light sensor cap
Photocell sensor
CCT & Wattage selector switch cap

Screw 1/2-13

Arc rubber gasket

Mounting Plate

DIM + / DIM -

Black--L
White--N
Green--GND

Lamp post

1. Cut off the power, connect wires correctly then insulate them.
2. Install the light fixture and tighten the screws.
3. Remove the CCT & Wattage selector switch cap, select the power and CCT you need then screw on.
Remove the light sensor cap if you need the light sensor function.
4. Connect the power and turn on the light.

All in one (Round & Square)

Light sensor cap
Photocell sensor
CCT & Wattage selector switch cap

180°

Screw 1/2-13

Screw 3/8-16*1

Black--L
White--N
Green--GND

DIM + / DIM -

Lamp post

12 126 54 30

Screw 7/16-14*2

1. Cut off the power, connect wires correctly then insulate them.
2. Insert the fixture onto the light pole and securely tighten the pole locking screws.
3. Remove the CCT & Wattage selector switch cap, select the power and CCT you need then screw on. Remove the light sensor cap if you need the light sensor function.
4. Connect the power and turn on the light.

Spring washer
Flat gasket
Screw 7/16 14*2

Light sensor cap
Photocell sensor
CCT & Wattage selector switch cap

Screw 1/2-13

DIM + / DIM -

Black--L
White--N
Green--GND

Mounting Plate

Lamp post

5 118 12 12 18 56 124.5

Screw 7/16-14*2

1. Cut off the power, connect wires correctly then insulate them.
2. Install the light fixture and tighten the screws.
3. Remove the CCT & Wattage selector switch cap, select the power and CCT you need then screw on. Remove the light sensor cap if you need the light sensor function.
4. Connect the power and turn on the light.

(Not included) M12 expansion bolts

Light sensor cap
Photocell sensor
CCT & Wattage selector switch cap

Screw 1/2-13

Black--L
White--N
Green--GND

DIM + / DIM -

Wall

5 118 12 12 18 56 124.5

Screw 7/16-14*2

1. Cut off the power, connect wires correctly then insulate them.
2. Drill M12 expansion bolts into the wall. Install the fixture onto the wall and tighten the nuts
3. Remove the CCT & Wattage selector switch cap, select the power and CCT you need then screw on. Remove the light sensor cap if you need the light sensor function.
4. Connect the power and turn on the light.

Universal (Trunion & Slip fitter & Square)

M12 expansion bolts (Not included)

Light sensor cap
Photocell sensor
CCT & Wattage selector switch cap

Screw 1/2-13

Black--L
White--N
Green--GND

DIM + / DIM -

Wall

146 90 198 130 80

Screw 7/16-14*2

1. Cut off power. Connect the fixture to the mains electricity supply and ensure proper insulation.
2. Drill M12 expansion bolts into the wall, install the light fixture onto the wall and tighten the bolts.
3. Twist open the power adjustment screw plug and adjust to the desired power level. If a light sensor is required, remove the light sensor cover.
4. Turn on the mains power switch to power on the fixture.

Yoke hole positioning dimensions (150W/200W)

Yoke hole positioning dimensions (240W/320W/360W)

Yoke

Wall Mounting:

- Light sensor cap
- Photocell sensor
- CCT & Wattage selector switch cap
- Black--L
- White--N
- Green--GND
- DIM + / DIM -
- M12 expansion bolts (Not included)
- 180°
- L-shaped bracket cover plate

After removing the screw, this $\Phi 16$ aperture can accommodate a waterproof connector for side wiring.

1. Cut off power. Connect the fixture to the mains electricity supply and ensure proper insulation.
2. Open the L-bracket cover plate. Drill M12 expansion bolts into the wall, Secure the fixture to the lamp pole using two screws through the mounting plate.
3. Reinstall the bracket cover plate and tighten the screws.
4. Twist open the power adjustment screw plug and adjust to the desired power level. If a light sensor is required, remove the light sensor cover.
5. Turn on the mains power switch to power on the fixture.

Square Lamp Post Mounting:

- Springboard
- Screw 1/2- 13*1-1/2
- Light sensor cap
- Photocell sensor
- CCT & Wattage selector switch cap
- Black--L
- White--N
- Green--GND
- DIM + / DIM -
- Mounting Plate
- Lamp post
- 180°

Round Lamp Post Mounting:

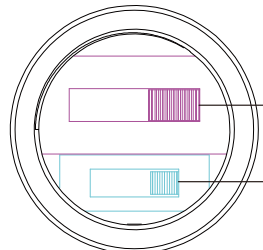
- Springboard
- Screw 1/2- 13*1-1/2
- Light sensor cap
- Photocell sensor
- CCT & Wattage selector switch cap
- DIM + / DIM -
- Mounting Plate
- Lamp post
- Black--L
- White--N
- Green--GND
- 180°

Dimensions:

- L-bracket hole positioning dimensions: 14, 84, 31, 24, 100, $\phi 14$
- Mounting plate hole positioning dimensions: 30, 12-13, 15, 90, 130

Square Round

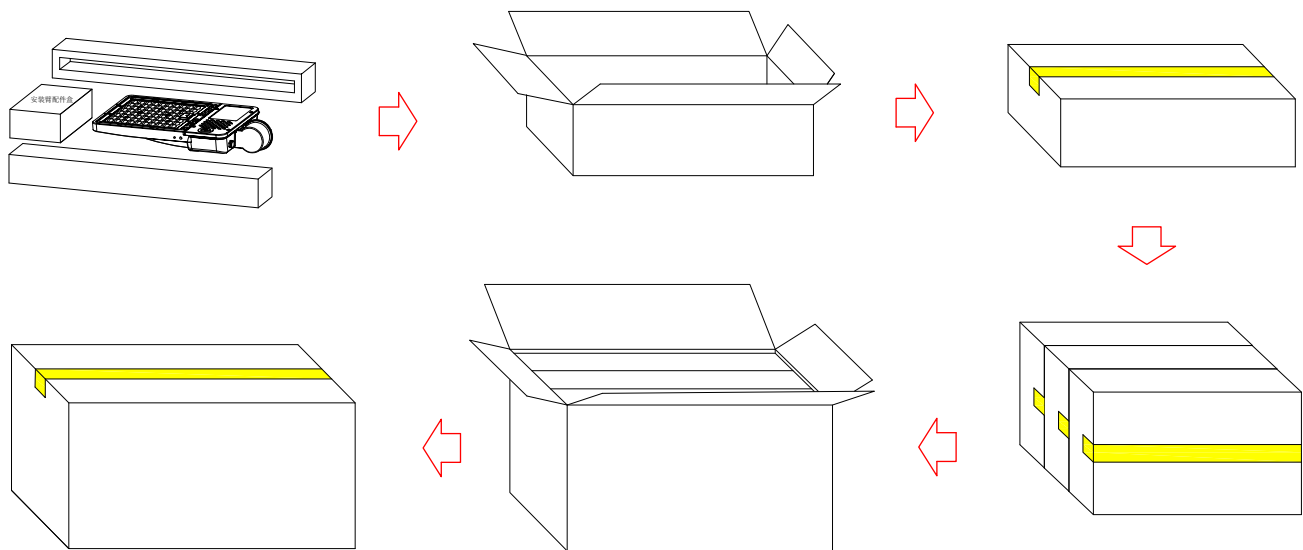
1. Cut off power. Connect the fixture to the mains electricity supply and ensure proper insulation.
2. Open the L-bracket cover plate. Secure the fixture to the lamp pole using two screws through the mounting plate.
3. Reinstall the bracket cover plate and tighten the screws.
4. Twist open the power adjustment screw plug and adjust to the desired power level. If a light sensor is required, remove the light sensor cover.
5. Turn on the mains power switch to power on the fixture.



CCT Selection Switch: From left to right, CCT increases gradually

Power Selection Switch: From left to right, light power increases gradually

CCT & Wattage Selector Switch



Power	Unit	Size	Gross Weight	Volume
NG-NPL-150W	1PC	540x260x105mm/ 21.5"*3.5"*4"	4.28KG/ 9.42 lbs	0.015m ³
NG-NPL-200W	4PCS	560x480x285mm/ 22.05"*18.9"*11.22"	18.18KG/ 40.0 lbs	0.077m ³
NG-NPL-240W	1PC	605x340x105mm/ 24"*13.5"*4"	5.97KG/ 13.13 lbs	0.022m ³
NG-NPL-320W	3PCS	625x365x365mm/ 24.61"*14.37"*14.37"	18.88KG/ 41.54 lbs	0.083m ³
NG-NPL-360W				