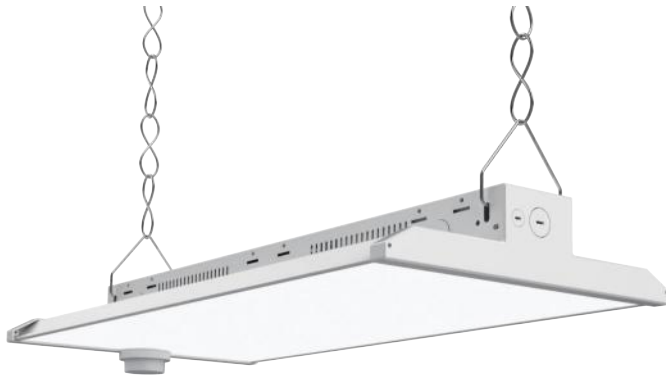
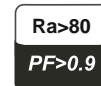


Tunable LED Linear Highbay (LHB07S)

Wattages: 160W, 220W, 300W Max Tunable



The Linear High Bay with its all-in-one, high quality lampshad with multiple mounting situations available put it at the top of the list for any high ceiling area where super bright light is needed. The LED Linear High bay Light Series can be widely used for indoor excellent for warehouse, industry building, factories, fitness center, and many other applications. Lighting controls meet design lights consortium (DLC) networked lighting control system technical requirements, LLLC, Energy Monitoring and High End Trim function.



PRODUCT FEATURES

- Optical design, greatly improved the light utilization and evenness.
- Full length lighting more brightness up to 140LPW
- High efficiency LED Driver, voltage AC120-277V / AC277-480V
- Rugged galvanized rolled iron plate housing, better cooling, light quality, LED Tj < 85°C.
- 0-10V dimming.
- 12Vdc auxiliary dimming
- Field install plug and play Bi-Level Sensor.

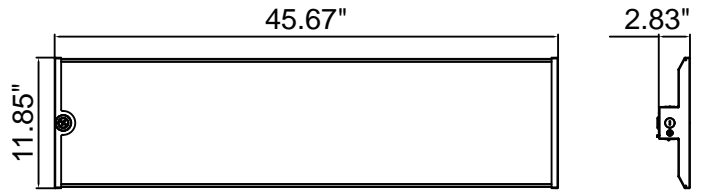
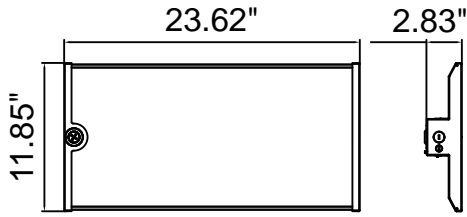
SPECIFICATION

	NG-LHB07-160W (S)	NG-LHB07-220W (S)	NG-LHB07-300W (S)
MODEL	NG-LHB07-160W (S)	NG-LHB07-220W (S)	NG-LHB07-300W (S)
WATTAGE	160/130/110/80/60W	220/180/165/110/80W	300/220/165/110/80W
CCT	3500K/4000K/5000K Tunable		
EFFICACY	Up to 140LPW		
CRI	Ra 80		
INPUT VOLTAGE	AC120-277V AC277-480V		
DISTRIBUTION	90°		
POWER FACTOR	0.9		
DRIVER EFFICACY	90%		
DIMMING	0-10Vdc		
LIFE SPAN	over 50,000 hrs		
WORKING TEMPERATURE	-40°F~113°F		
STORAGE TEMPERATURE	-40°F~176°F		
OUTDOOR RATING	Damp location		
CABLE	5 core, 18AWG 0.5FT		
WARRANTY	5 year limited		

Tunable LED Linear Highbay (LHB07S)

Wattages: 160W, 220W, 300W Max Tunable

PRODUCT DIMENSION



	Packing	Size	Net Weight	Gross Weight	pcs/ctn
NG-LHB07-160W (S)	Outer Packing Size	L25.2"xW8.27"xH13.58"	14.11Lbs	17.11Lbs	2pcs/ctn
NG-LHB07-220W (S)	Outer Packing Size	L25.2"xW8.27"x"H13.58"	17.64Lbs	21.56Lbs	2pcs/ctn
NG-LHB07-300W (S)	Outer Packing Size	L47.24"xW8.27"xH13.58"	29.29Lbs	34.13Lbs	2pcs/ctn

With Audio Jack Sensor base



ORDERING GUIDE

EXAMPLE:

NG-LHB07-300W-H-XX-TCP-Y

NG	LHB07	300W	H	XX	TCP	Y
COMPANY	PRODUCT	POWER	HIGH LUMENS	INPUT VOLTAGE	Tunable CCT and Power	CONTROL
NGTlight	Linear Highbay	160W=160/130/110/80/60W 220W=220/180/165/110/80W 320W=320/220/165/110/80W		Blank=120-277Vac HV=227-480Vac	3500K/4000K/5000K	A: PIR sensor (Infrared sensor) B: MS sensor (occupancy sensor) C: BRT sensor (occupancy+bluetooth) D: PHB sensor (Infrared bluetooth) Blank: no provide sensor

ACCESSORIES MOUNTING BRACKETS



Chain Mount

Standard

SOLD SEPARATELY



Sensor



Surface Mount



J-Box Mount



Emergency Driver



Wire Guard



Remote Controller

Tunable LED Linear Highbay (LHB07S)

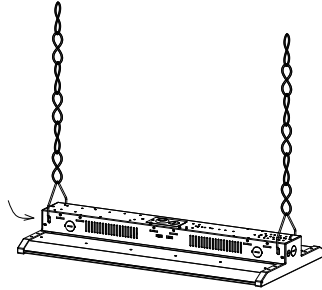
Wattages: 160W, 220W, 300W Max Tunable

Chain installation

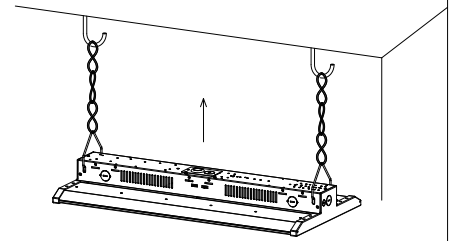
1. The steel wire suspension rope is shown in the following figure



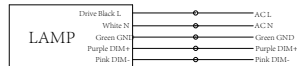
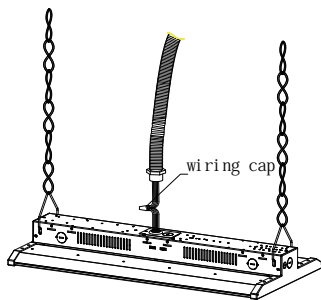
2. Insert the steel wire rope into the slotted hole, as shown in the following figure



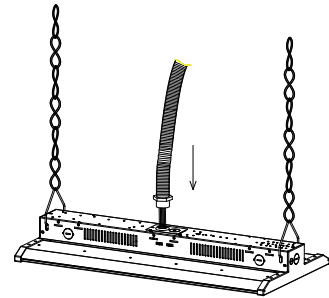
3. Hang the hanging rope on the ceiling



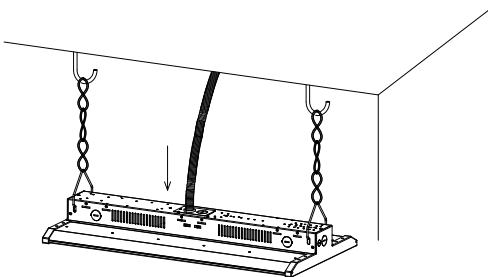
4. Turn off power, and make wiring connections with terminal cap (see wiring instruction below).



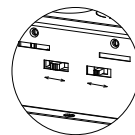
5. Insert the terminal cap and wires into the driver box.



6. Insert the wire terminal joint to the wire entry. Installation completed.



7. If you purchase a lamp with optional color temperature or power functions, adjust the switch to the desired color temperature or power. If there is no adjustable function, there is no switch for this item



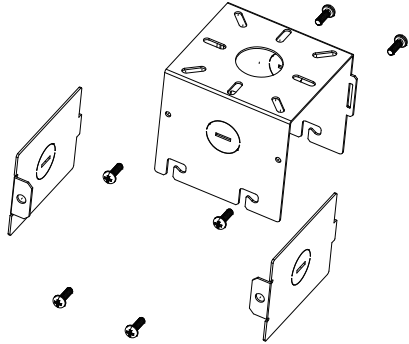
Color temperature optional switch or none
Power selectable switch or none

Tunable LED Linear Highbay (LHB07S)

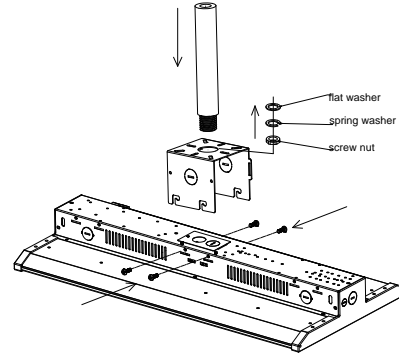
Wattages: 160W, 220W, 300W Max Tunable

Pole Pendant Installation

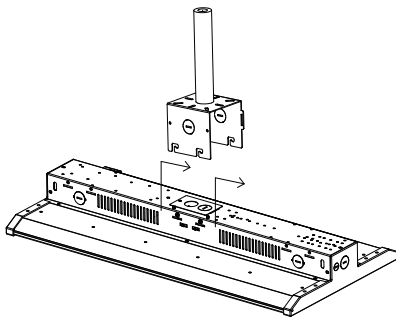
1. Find the following accessories from the accessories pack



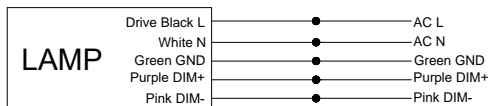
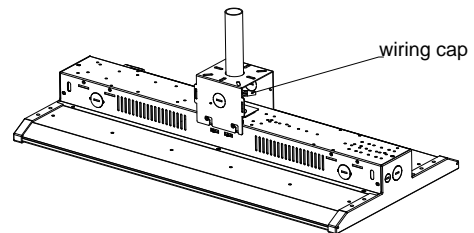
2. First, install and fix the terminal cap with the suspension rod, and then tighten the screws at the position shown in the picture, being careful not to tighten them



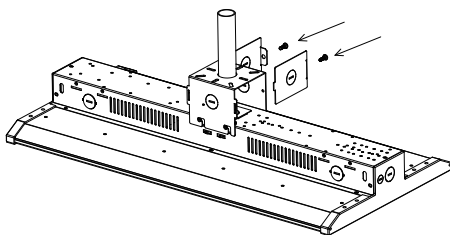
3. Align the screw with the opening slot on the terminal cap, push it up first, and then drag it to the side to complete the assembly



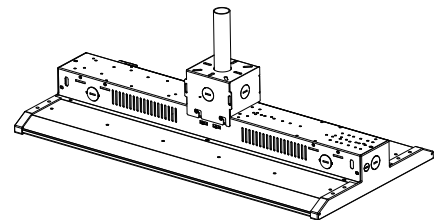
4. Turn off power, and make wiring connections with terminal cap. (see wiring instruction below).



5. Attach both face plates to the Junction box with the provided hardware. Installation completed.



6. If you purchase a lamp with optional color temperature or power functions, adjust the switch to the desired color temperature or power. If there is no adjustable function, there is no switch for this item



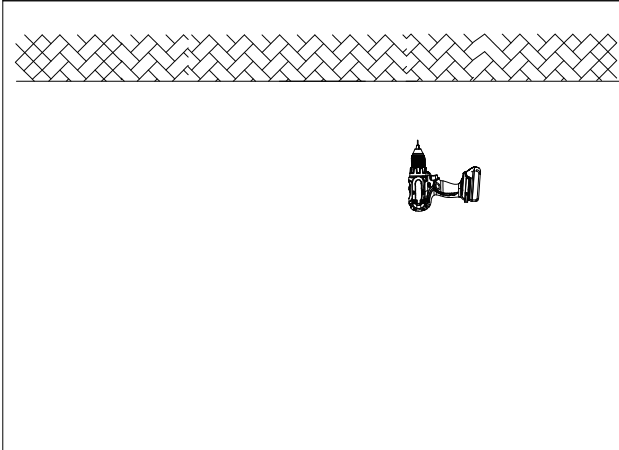
Color temperature optional switch or none
Power selectable switch or none

Tunable LED Linear Highbay (LHB07S)

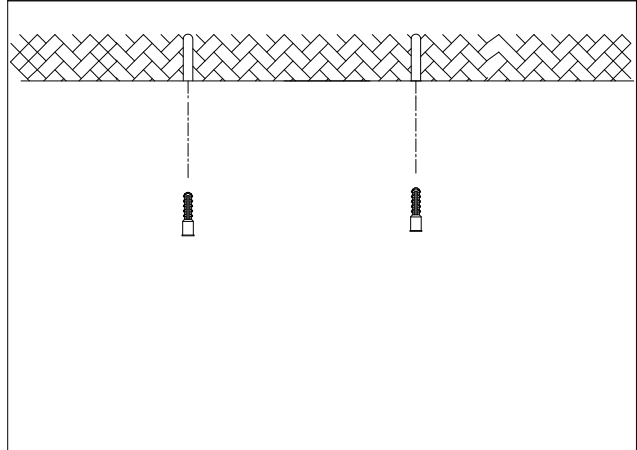
Wattages: 160W, 220W, 300W Max Tunable

Surface Mounted

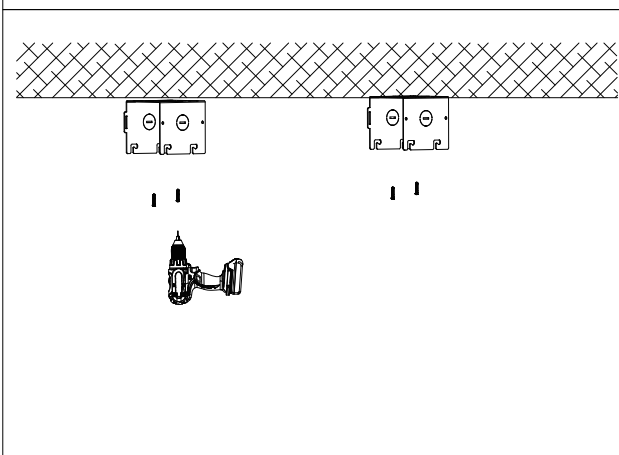
1. Drill the alignment holes on the top ceiling, makethem match to the holes on mounting bracket.



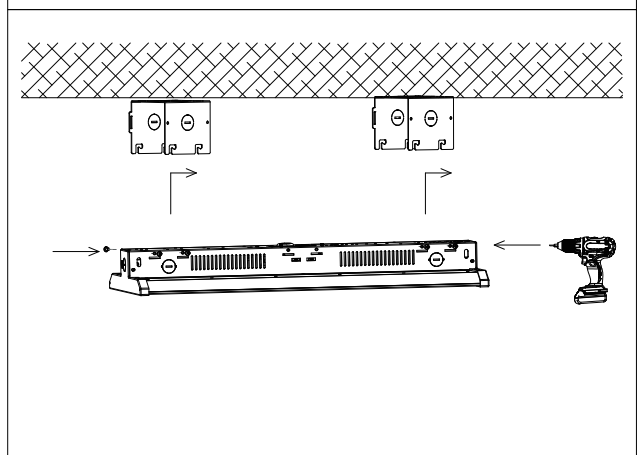
2. Screw the anchors to holes on ceiling respectively



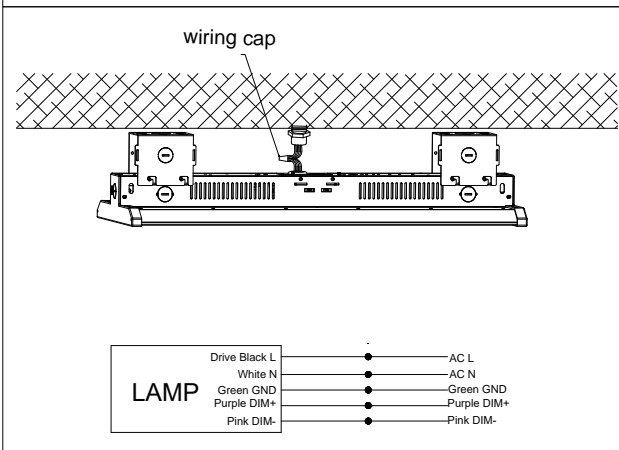
3. Screw the bracket to the ceiling



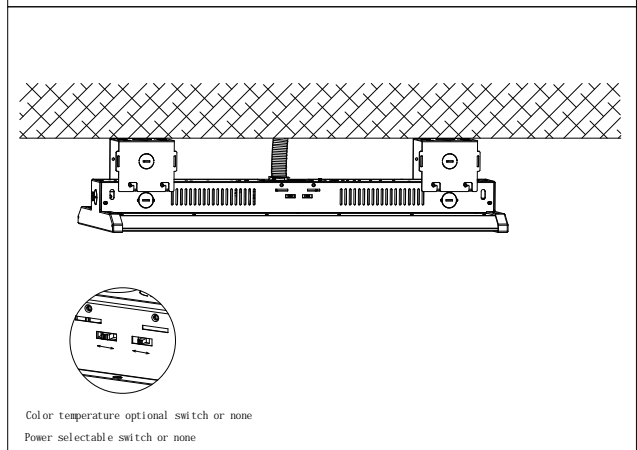
4. Attach the lamp to the hook fitting.



5. Find the wiring cap from the accessory package and wire it according to the following diagram.



6. If you purchase a lamp with optional color temperature or power functions, adjust the switch to the desired color temperature or power. If there is no adjustable function, there is no switch for this item

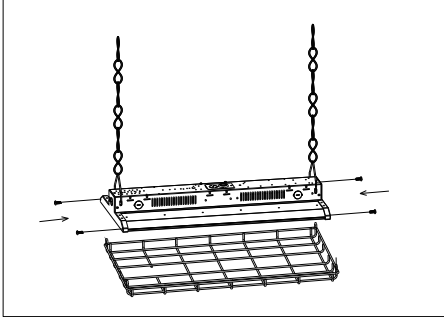


Tunable LED Linear Highbay (LHB07S)

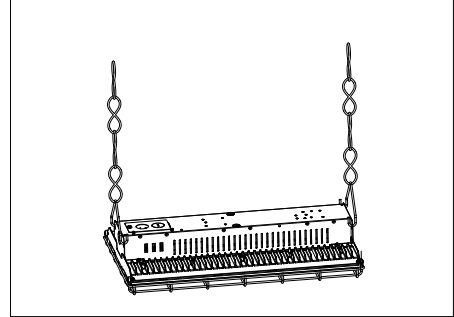
Wattages: 160W, 220W, 300W Max Tunable

Wire Guard Installation

1. Install the protective net according to the following diagram, using the screws in the accessory package

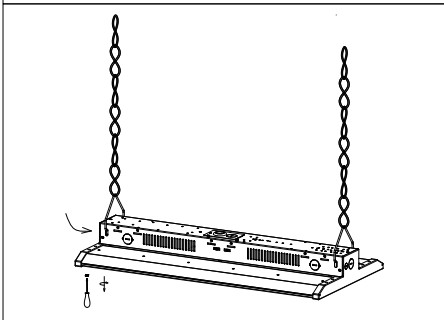


2. Installation completed

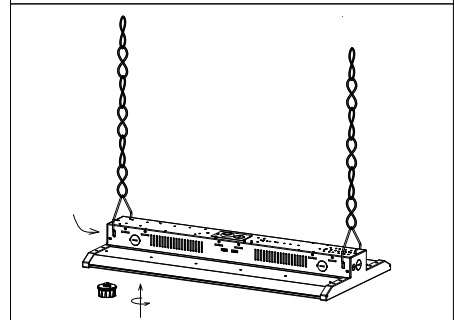


Sensor installation

1. If the purchased lamp is pre installed with a sensor base and requires the installation of a sensor, first remove the plug as shown in the following figure



2. Install the sensor as shown in the following figure



APPLICATIONS

