









## Features

- \* Adjustable wattages: 60%/ 80%/ 100%
- \* Adjustable CCT: 3000K/ 4000K/ 5000K
- \* 40% more LEDs compared to general corn bulbs available in the market
- \* Suitable for replacing 100~600W metal halide/HPS
- \* Transparent PC Cover, Aluminum fin heat sink
- \* Equipped with 2 fans for active cooling
- \* Available in 30~150W power range
- \* Supports 100~277V/ 277~480V voltage input
- \* Provides a 360-degree beam angle
- \* 6K High voltage surge test passed
- \* Offers a lifespan of 50,000 hours
- \* E26/ E27/ E39/ E40 Mogul screw base
- \* SMD2835, 150lm/w LED chips
- \* Emits no UV or IR radiation
- \* No magnetic disturbance driver
- \* 5 years warranty

CCT Adjustable		Power Adjustable								
	3000K		<b>30W</b>	<b>45W</b>	<b>60W</b>	<b>75W</b>	<b>80W</b>	<b>100W</b>	<b>120W</b>	<b>150W</b>
	4000K		18W	27W	36W	45W	48W	60W	72W	90W
	5000K		24W	36W	48W	60W	64W	80W	96W	120W
			30W	45W	60W	75W	80W	100W	120W	150W

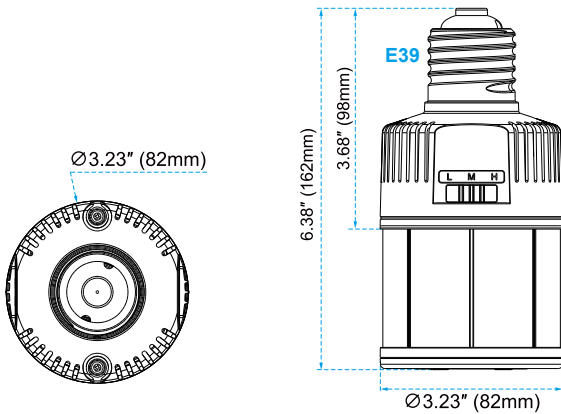


Series	Lumens	Electrical Data	LED Type	Base	Color Temperature	Color Rendering Index
NG-FCL-30W	4500 Lm	Input Voltage AC100-277V 50/60Hz Power Factor(>)>90	280 PCS SMD 2835 Chips	E26 E27 E39 E40	3000K 4000K 5000K	Ra≥80
NG-FCL-45W	6750 Lm					
NG-FCL-60W	9000 Lm					
NG-FCL-75W	11250 Lm					
NG-FCL-80W NG-FCL-80WH	12000 Lm	Input Voltage AC100-277V/ AC277-480V 50/60Hz Power Factor(>)>90	504 PCS SMD 2835 Chips			
NG-FCL-100W NG-FCL-100WH	15000 Lm					
NG-FCL-120W NG-FCL-120WH	18000 Lm					
NG-FCL-150W NG-FCL-150WH	22500 Lm					
			728 PCS SMD 2835 Chips			

## DIMENSIONS

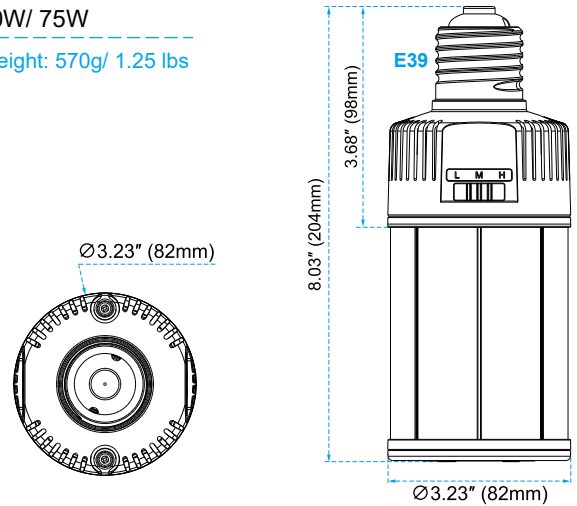
30W/ 45W

Weight: 450g/ 0.99 lbs



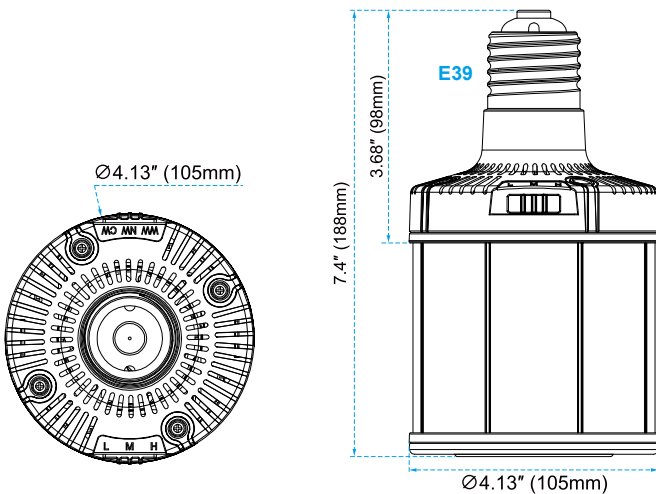
60W/ 75W

Weight: 570g/ 1.25 lbs



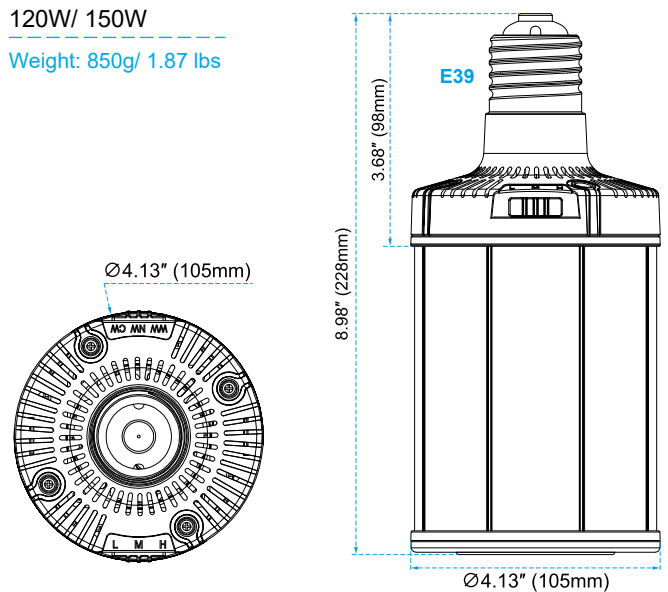
80W/ 100W

Weight: 560g/ 1.23 lbs



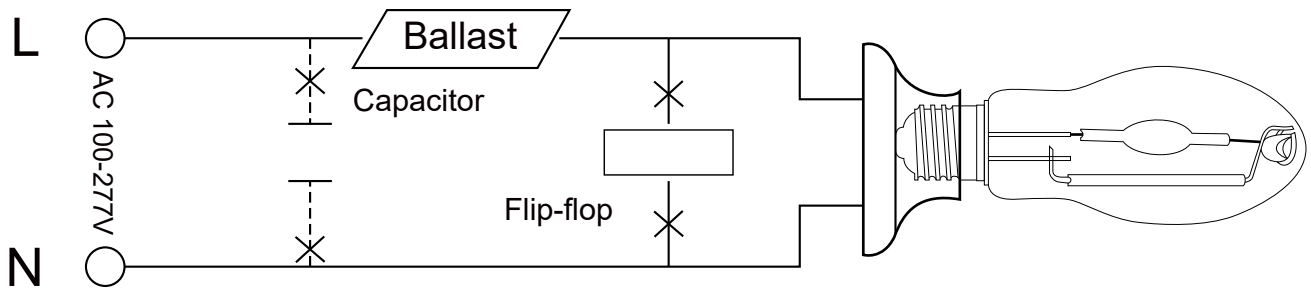
120W/ 150W

Weight: 850g/ 1.87 lbs



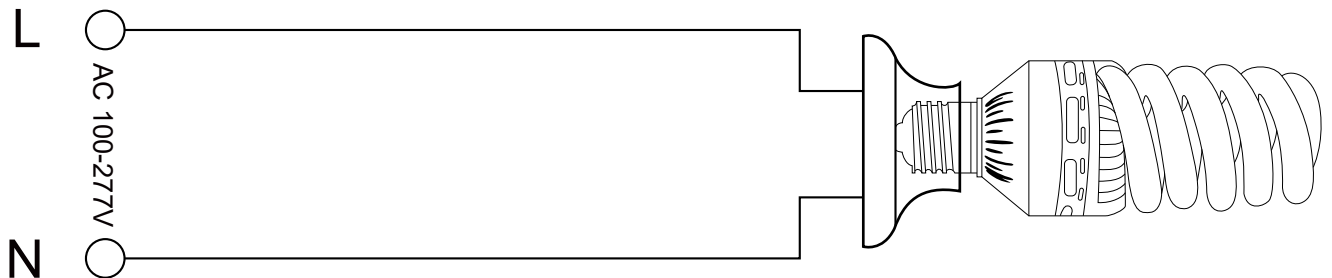
1. Remove old ballast or disconnect from existing lamp holder.  
Remove and dispose of ballast in correct manner.  
Shown as Figure 1.( North America 100-277 VAC)

Fig1



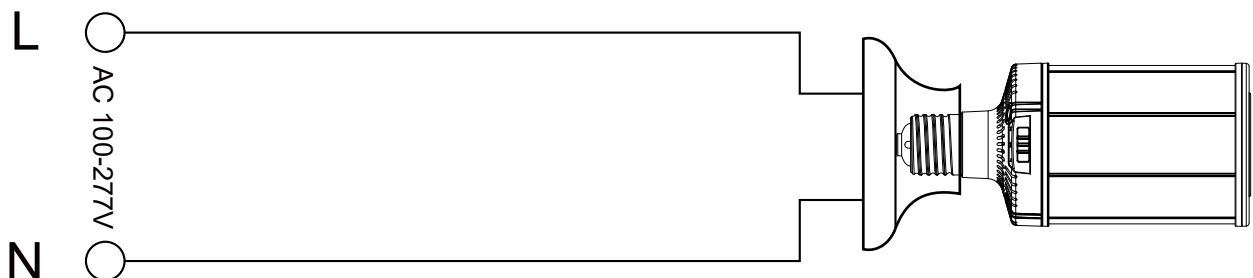
2. Reconnect directly to the existing lamp holder. Shown as Figure 2.  
(North America 100-277VAC)

Fig2



3. Install New LED Replacement lamp. Shown as Figure 3. Please make sure the old fitting is correctly earth. (North America 100-277VAC)

Fig3



Flood Light Fixture



Cobra Fixture



Post Top Fixture



Shoebbox Fixture



Wall Pack Fixture



High Bay Fixture



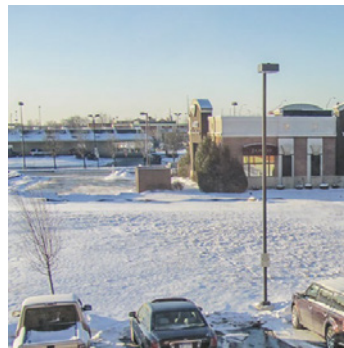
LED corn light can be widely used in warehouse, workshop, parking lot, street lighting, with high bay, shoebox, canopy fixtures.



Parking Lot



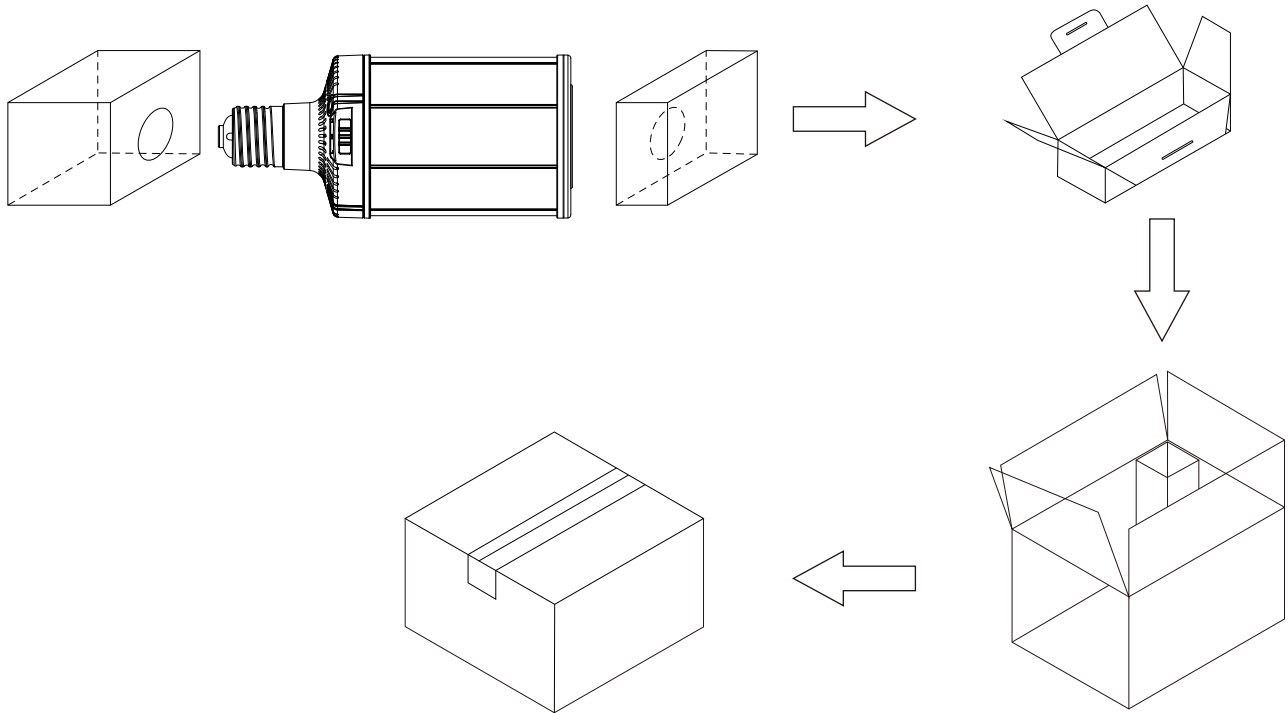
Yard



Street



Stadium



Series	Unit	Package Size	Gross Weight	Volume
FCL-30W	1 PC	111x111x200mm/ 4.37**4.37**7.87"	0.52 kg/ 1.15 lbs	0.002m <sup>3</sup>
FCL-45W	30 PCS	580x360x420mm/ 22.83**14.17**16.54"	16.6 kg/ 36.60 lbs	0.088m <sup>3</sup>
FCL-60W	1 PC	111x111x240mm/ 4.37**4.37**9.45"	0.66 kg/ 1.45 lbs	0.003m <sup>3</sup>
FCL-75W	24 PCS	475x360x500mm/ 18.70**14.17**19.69"	17.0 kg/ 37.48 lbs	0.086m <sup>3</sup>
FCL-80W	1 PC	130x130x215mm/ 5.12**5.12**8.46"	0.70 kg/ 1.54 lbs	0.004m <sup>3</sup>
FCL-80WH				
FCL-100W	18 PCS	420x420x450mm/ 16.54**16.54**17.72"	14.0 kg/ 30.86 lbs	0.079m <sup>3</sup>
FCL-100WH				
FCL-120W	1 PC	130x130x255mm/ 5.12**5.12**10.04"	0.95 kg/ 2.09 lbs	0.004m <sup>3</sup>
FCL-120WH				
FCL-150W	12 PCS	420x300x530mm/ 16.54**11.81**20.87"	13.0 kg/ 28.66 lbs	0.067m <sup>3</sup>
FCL-150WH				