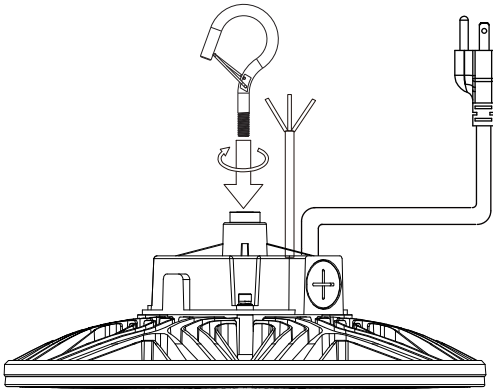
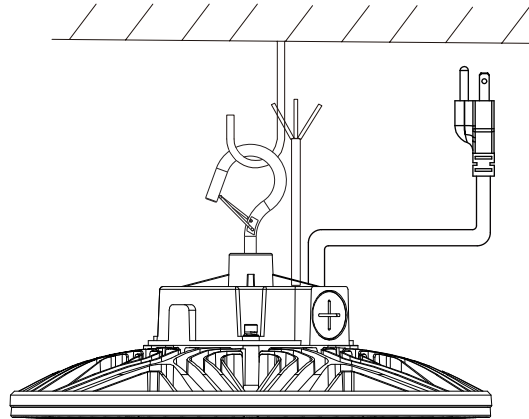


1. Open the box and take out the LED light and ring.

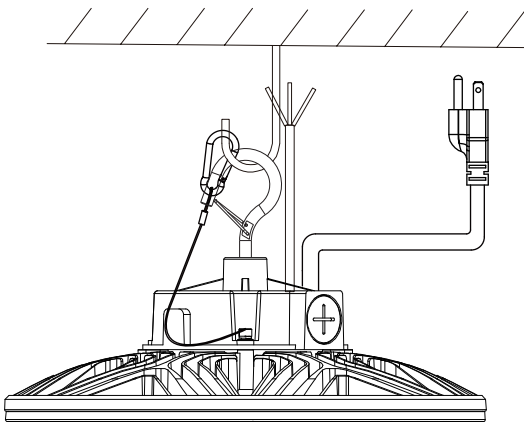
2. Install the ring into the light body as following diagram.



3. Hung the LED light with a sturdy hook.



4. Hang the safety wire one side to the lamp, another side to the sturdy hook shown by diagram.

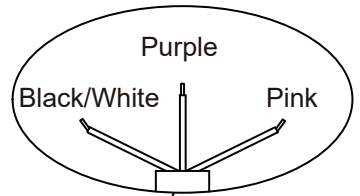


5. Connect wires as below diagram and turn on power to lighting.

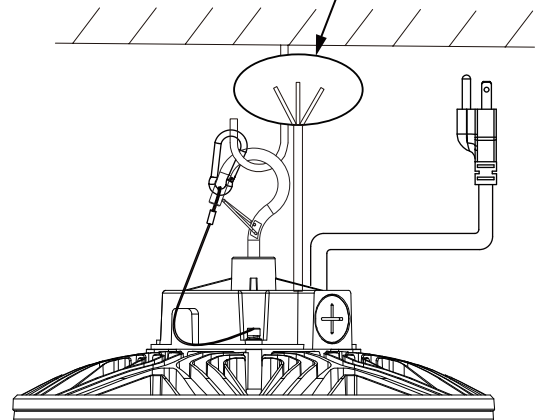
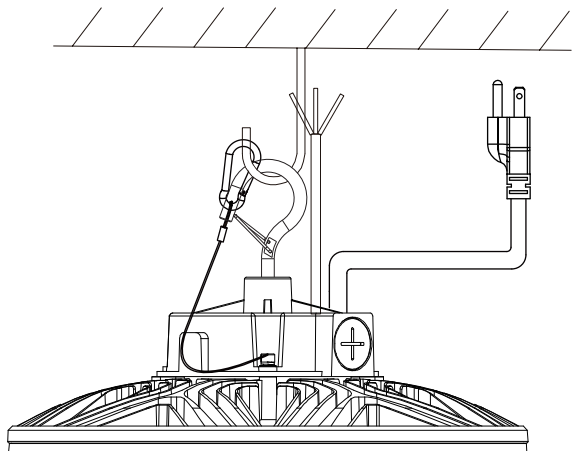
Black/White: Vaux+

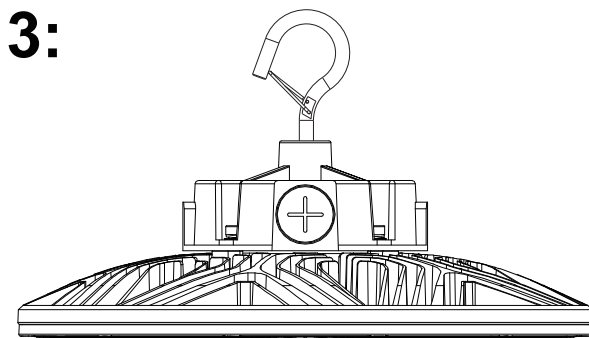
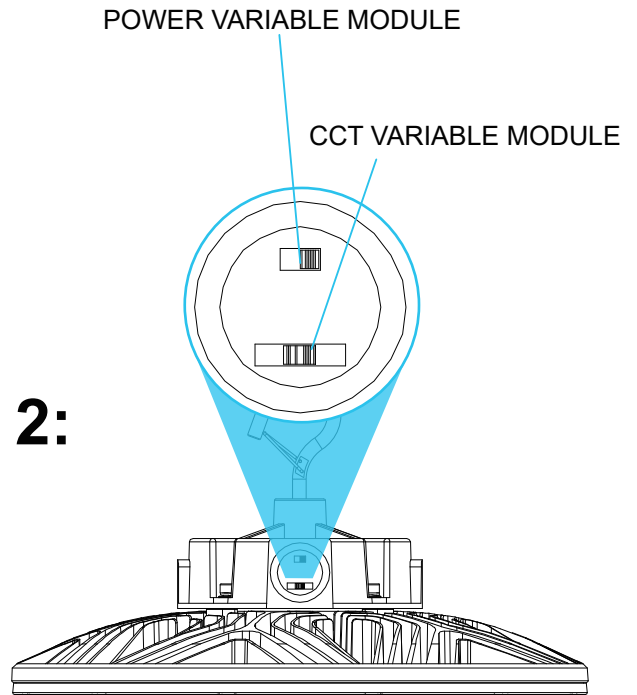
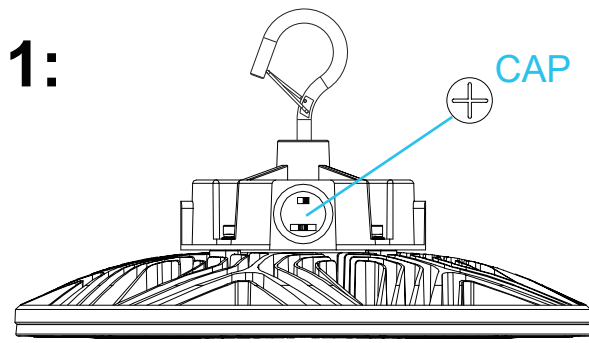
Purple: DIM+

Pink: DIM-/Vaux-



6. Use remote control to adjust product brightness, 0-100% adjustment. Or use microwave induction to intelligently adjust product functions. (Only for high bay lights which have remote /microwave function)





1.UNSCREW THE CAP.

2.SELECT POWER & CCT.

3.SCREW THE CAP.

CCT Selections:

There are 3 color temperatures available (CW/NW/WW)
Please select the color temperature you prefer before installation

CW	NW	WW
5700K	5000K	4500K

Power Selections:

There are 3 power options (A/B/C), please select the power according to your needs

UFO150W	A	B	C
	150W	120W	90W

UFO240W	A	B	C
	240W	200W	150W

UFO200W	A	B	C
	200W	160W	120W

UFO300W	A	B	C
	300W	240W	200W

Warm Tips:

1. Please cut the power off before adjusting the color temperature or power
2. The product should be installed by professionals to avoid damage and danger