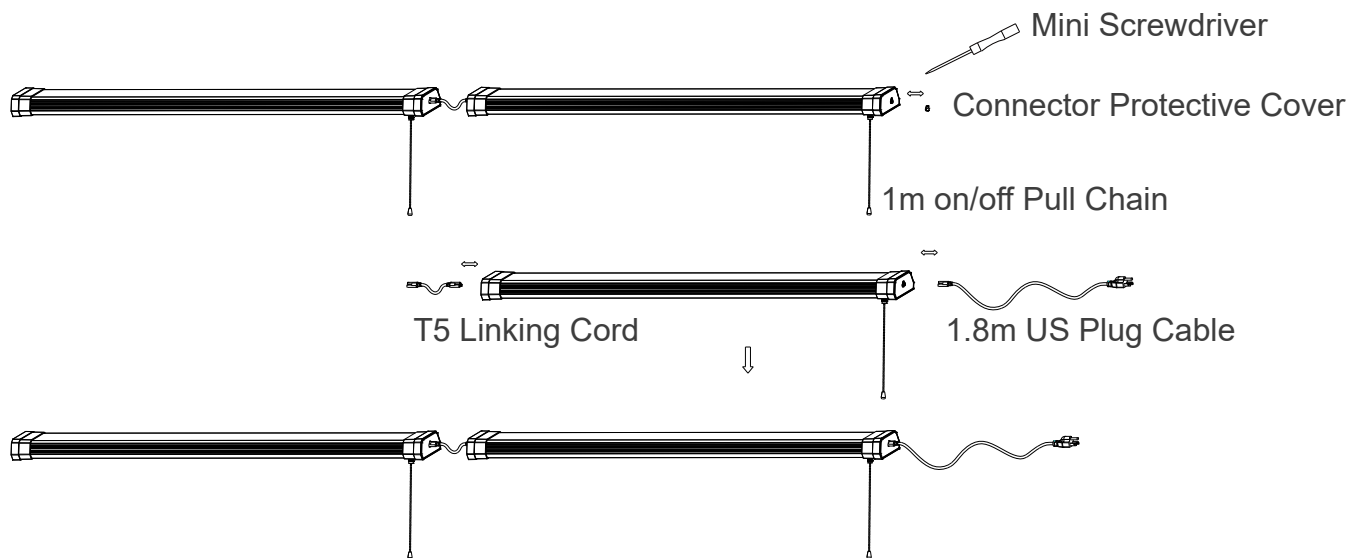


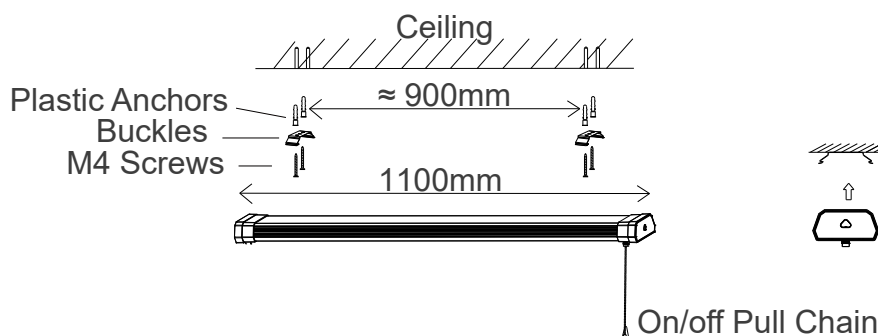
How to link the LED shop light?

1. Please use the mini screwdriver (provided) to open the connector protective cover which on the side of the fixture. NOTE: Please do not open the protective cover if not use it, to avoid the risk of electrical shock.
2. Please use the T5 linking cord(Length 50cm) or the connector to link the fixtures. Both of them are provided. Kindly Note: The maximum total load is 500W.
3. Plug the US power cable to the first lamp outlet which is on the switch side, and then connect the power supply. **(AC 120V±10%)**



Surface/Flush Mount

1. Drill 4 holes(diameter 6mm) into the ceiling.
2. Fix the plastic anchors into holes.
3. Screw the buckles with M4 screws on the ceiling.
4. Fix the shop light into the buckles.



Hanging Mount

1. Install the hook screws, washers and nuts on the mounting clips.
2. Fix the shop light into the buckles.
3. Drill 4 holes(diameter 6mm) into the ceiling.
4. Fix the plastic anchors into holes.
5. Fix the mounting clips with M4 screws on the ceiling.
6. Hang the shop light to one side of the suspended chain.
7. Hook the other side of the suspended chain to the mounting clips as you need.

