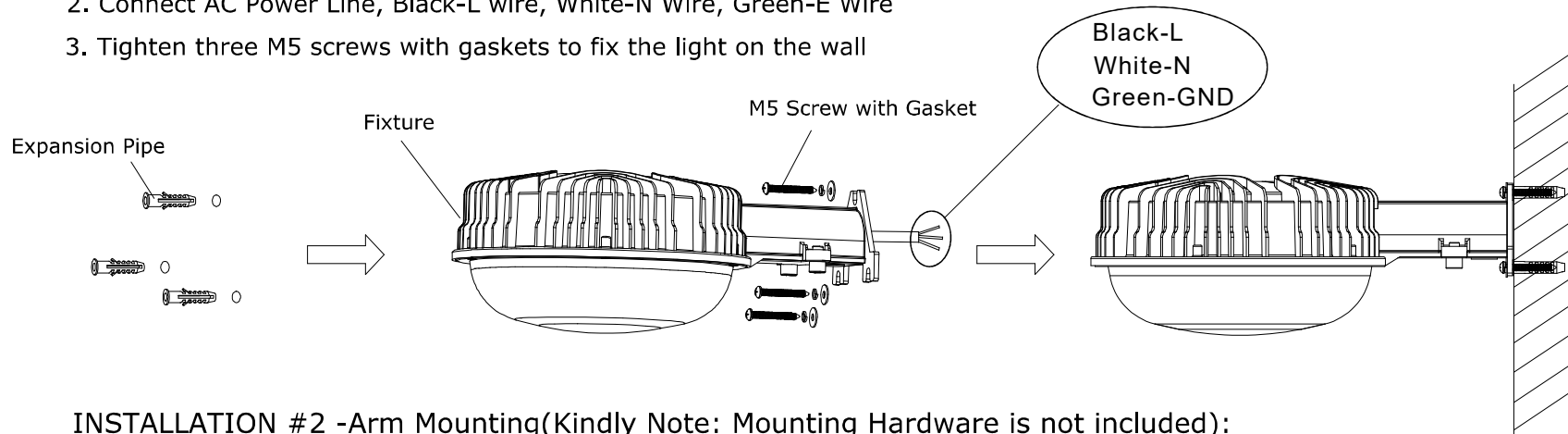


### INSTALLATION #1-Wall Mounting:

1. Drill three holes into the wall, then screw the expansion pipe into the holes
2. Connect AC Power Line, Black-L wire, White-N Wire, Green-E Wire
3. Tighten three M5 screws with gaskets to fix the light on the wall



### INSTALLATION #2 -Arm Mounting(Kindly Note: Mounting Hardware is not included):

1. Connect AC Power Line, Black-L wire, White-N Wire, Green-E Wire
2. Tighten the mounting bracket on the extension arm with M6 screw, then install the baseplate and two M8 screw to fix the arm on the fixture
3. Drill into the wall, then screw the expansion pipe into the holes
4. Tighten Four M5 screws to fix the light on the wall

