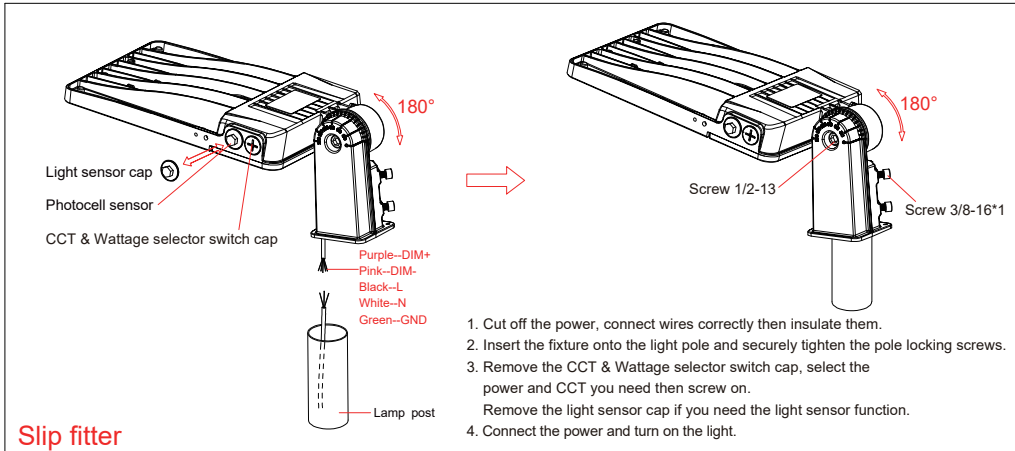
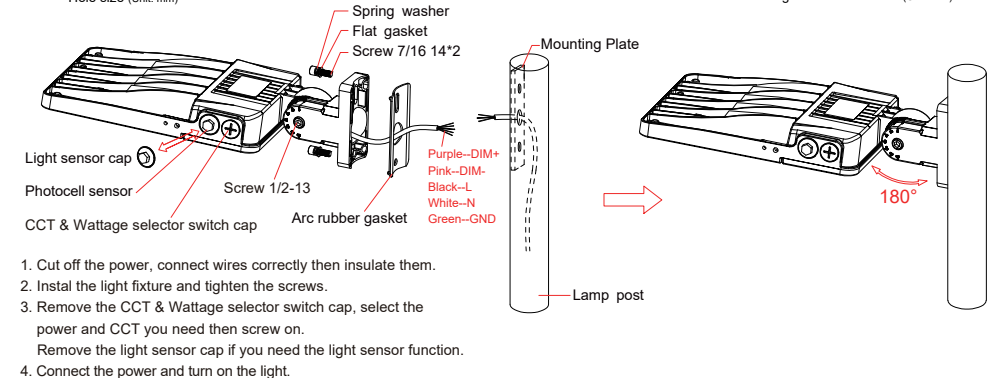
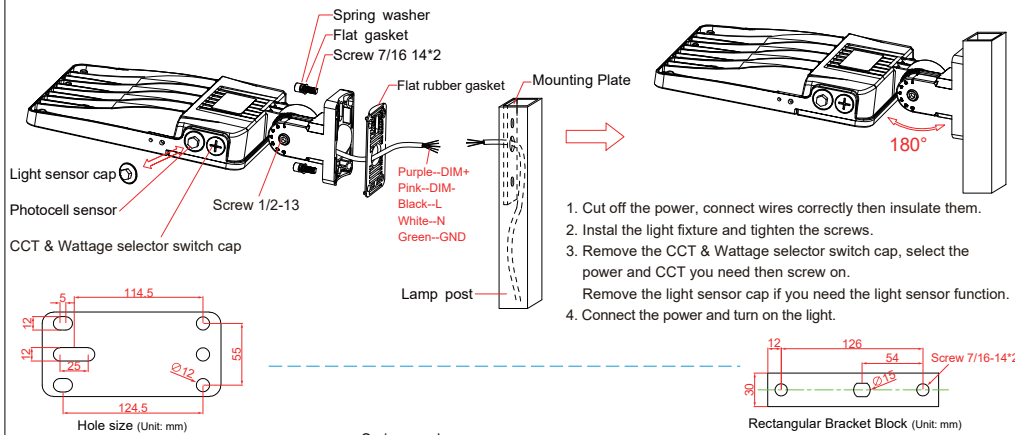


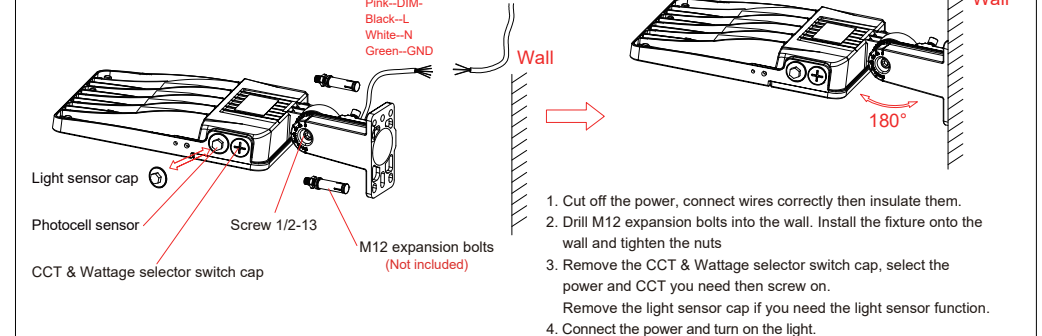
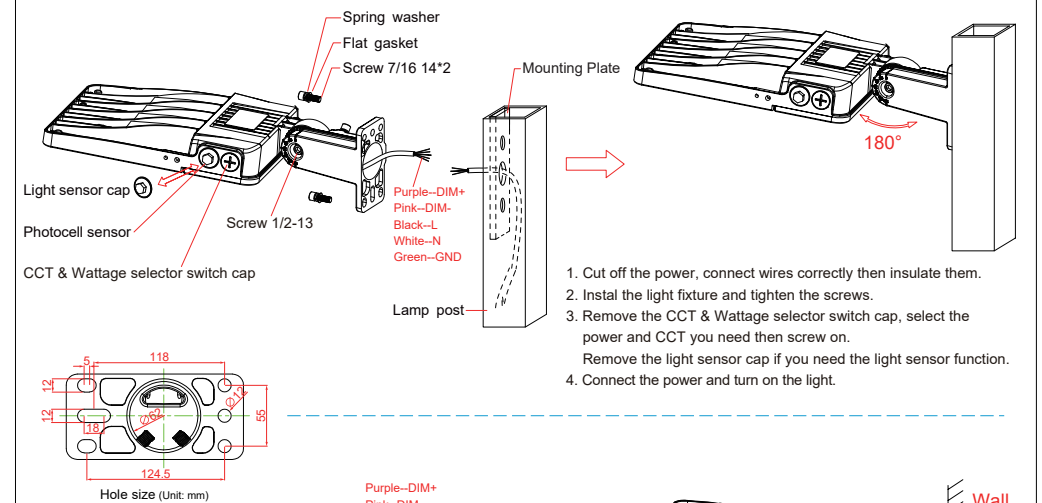
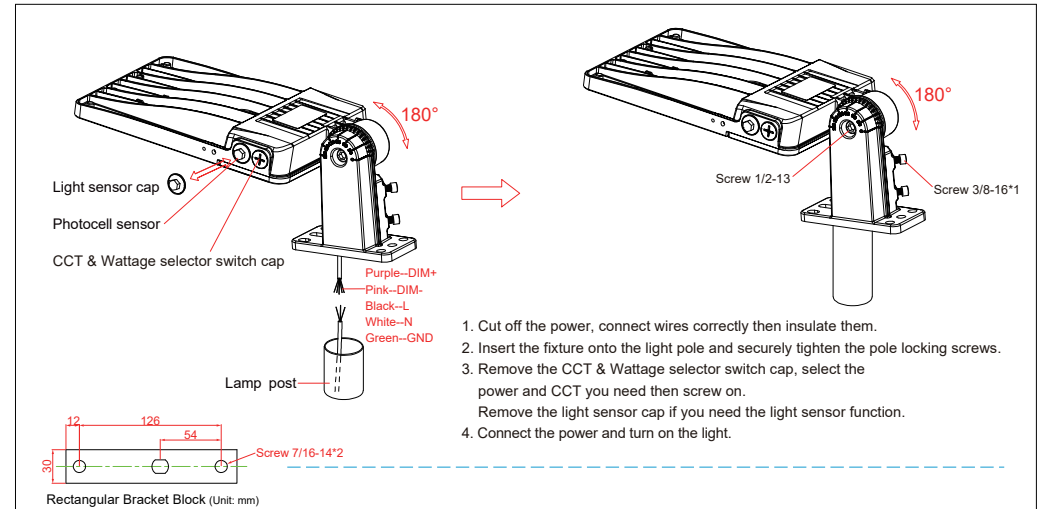
WARNING: * Please DO cut off power to avoid electric shock and endanger life safety before installation
 * Installation height should be higher than 1.2m.
 * For pole mounting, please complete wiring at the accessible hand-hole on the pole.



Slip fitter



All in one (Round & Square)



Universal (Trunnion & Slip fitter & Square)

Purple--DIM+
Pink--DIM-
Black--L
White--N
Green--GND

Light sensor cap
Photocell sensor
CCT & Wattage selector switch cap

M12 expansion bolts
(Not included)

Wall

180°

After removing the screw, this $\Phi 16$ aperture can accommodate a waterproof connector for side wiring.

1. Cut off power. Connect the fixture to the mains electricity supply and ensure proper insulation.
2. Open the L-bracket cover plate. Drill M12 expansion bolts into the wall. Secure the fixture to the lamp pole using two screws through the mounting plate.
3. Reinstall the bracket cover plate and tighten the screws.
4. Twist open the power adjustment screw plug and adjust to the desired power level. If a light sensor is required, remove the light sensor cover.
5. Turn on the mains power switch to power on the fixture.

L-shaped bracket cover plate

Springboard
Screw 1/2- 13*1-1/2

Light sensor cap
Photocell sensor
CCT & Wattage selector switch cap

Purple--DIM+
Pink--DIM-
Black--L
White--N
Green--GND

Mounting Plate

Lamp post

1. Cut off power. Connect the fixture to the mains electricity supply and ensure proper insulation.
2. Open the L-bracket cover plate. Secure the fixture to the lamp pole using two screws through the mounting plate.
3. Reinstall the bracket cover plate and tighten the screws.
4. Twist open the power adjustment screw plug and adjust to the desired power level. If a light sensor is required, remove the light sensor cover.
5. Turn on the mains power switch to power on the fixture.

L-bracket hole positioning dimensions

Mounting plate hole positioning dimensions

Springboard
Screw 1/2- 13*1-1/2

Light sensor cap
Photocell sensor
CCT & Wattage selector switch cap

Purple--DIM+
Pink--DIM-
Black--L
White--N
Green--GND

Mounting Plate

Lamp post

1. Cut off power. Connect the fixture to the mains electricity supply and ensure proper insulation.
2. Open the L-bracket cover plate. Secure the fixture to the lamp pole using two screws through the mounting plate.
3. Reinstall the bracket cover plate and tighten the screws.
4. Twist open the power adjustment screw plug and adjust to the desired power level. If a light sensor is required, remove the light sensor cover.
5. Turn on the mains power switch to power on the fixture.

Square Round

M12 expansion bolts
(Not included)

Purple--DIM+
Pink--DIM-
Black--L
White--N
Green--GND

Wall

180°

1. Cut off power. Connect the fixture to the mains electricity supply and ensure proper insulation.
2. Drill M12 expansion bolts into the wall, install the light fixture onto the wall and tighten the bolts.
3. Twist open the power adjustment screw plug and adjust to the desired power level. If a light sensor is required, remove the light sensor cover.
4. Turn on the mains power switch to power on the fixture.

Yoke

Yoke hole positioning dimensions (150W/200W)

Yoke hole positioning dimensions (240W/320W/360W)

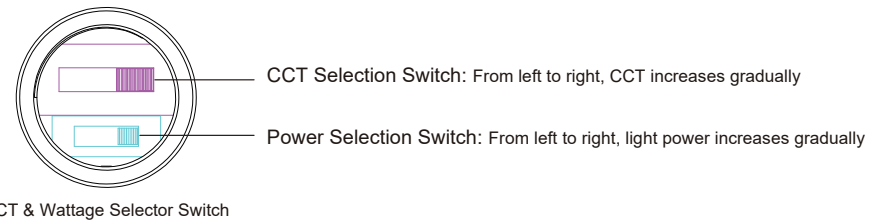
Power & CCT Selections:

Power Selections:
There are power options(L/M/H), please select the power according to your needs.
Warning Turn off the lamp when adjusting the power to: avoid damage to the lamp.

	L	M	H
NPL-150W	90W	120W	150W
NPL-200W	120W	160W	200W
NPL-240W	144W	192W	240W
NPL-320W	192W	256W	320W
NPL-360W	216W	288W	360W

CCT Selections.
There are 3 color temperatures available (CW/NW/WW), Please select the color temperature you prefer before installation.

WW	NW	CW
3000K	4000K	5000K



There are power options(L/M/H), please select the power according to your needs.
*** WARNING:** Turn off the lamp when adjusting the power to avoid damage to the lamp.