

*** IMPORTANT**

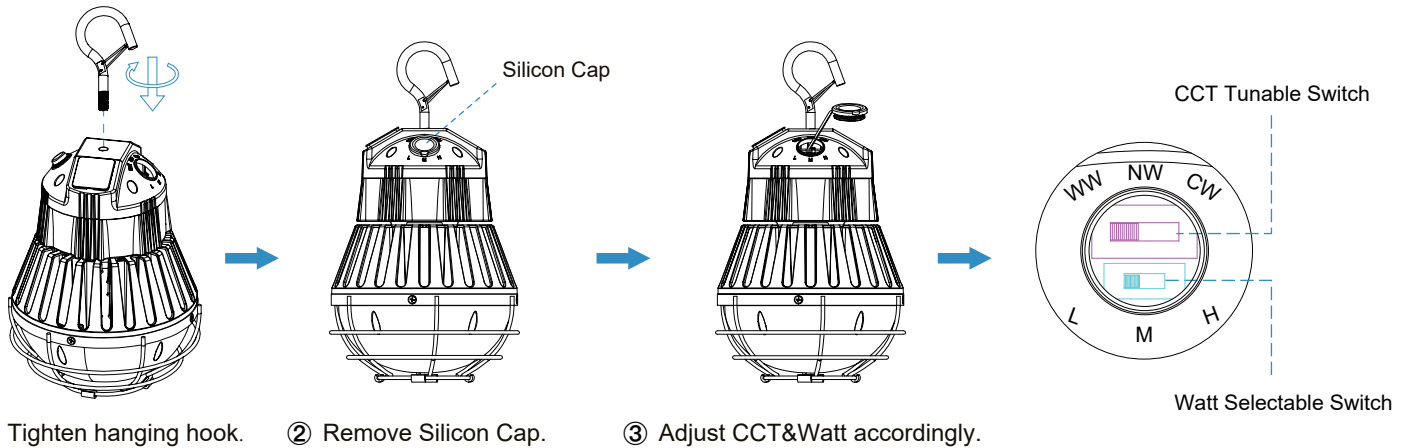
READ CAREFULLY BEFORE INSTALLING FIXTURE. RETAIN THESE INSTRUCTIONS FOR FUTURE REFERENCE.

NGTLIGHT fixtures must be wired by qualified electrician. Proper grounding is required for safety.

Make sure power is OFF before installing or maintaining fixture.

CAUTION: Be sure fixture temperature is cool enough to touch. Do not clean or maintain while fixture is energized.

Application: Suitable for construction sites or any other location requiring a temporary light string.



- ① Tighten hanging hook.
- ② Remove Silicon Cap.
- ③ Adjust CCT&Watt accordingly.

CCT Selections:

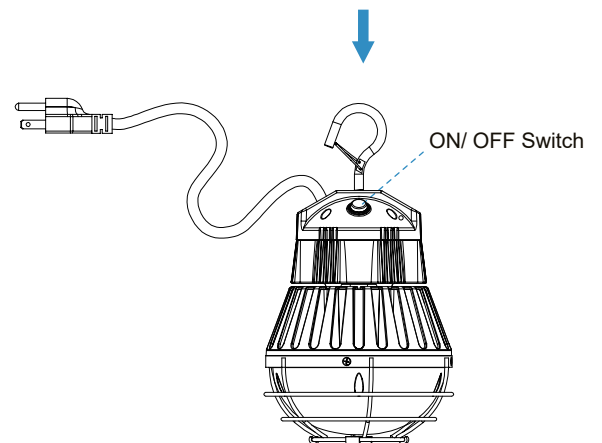
There are 3 color temperatures available (WW/ NW/ CW)
Please select the color temperature you prefer before installation

WW	NW	CW
3000K	4000K	5000K

Power Selections:

Move the power selection switch from right to left, light power decreases gradually

L	M	H
60%	80%	100%



- ④ Connect the plug into electricity, turn on the light.

*** LINKABLE**

Open the power cord buckle, connect the plug and socket to make sure two or more lamps are jointed together, and rotate the buckle 90 degrees to make sure the lamps are connected more firm.

Total 500W max. in parallel connection.

***60W:** - For only use with this product connect up to 8 bunches

***80W:** - For only use with this product connect up to 6 bunches

***100W:** - For only use with this product connect up to 5 bunches

