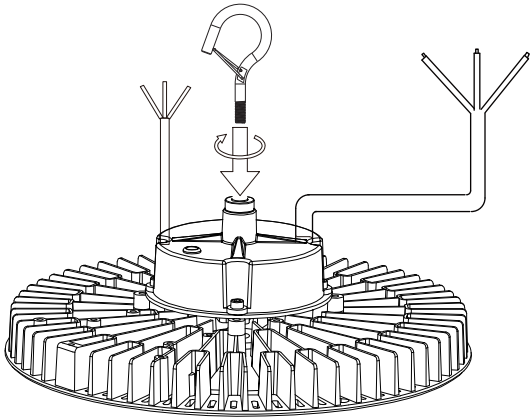
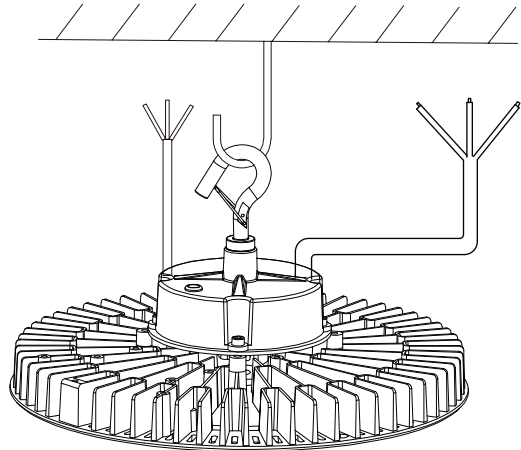


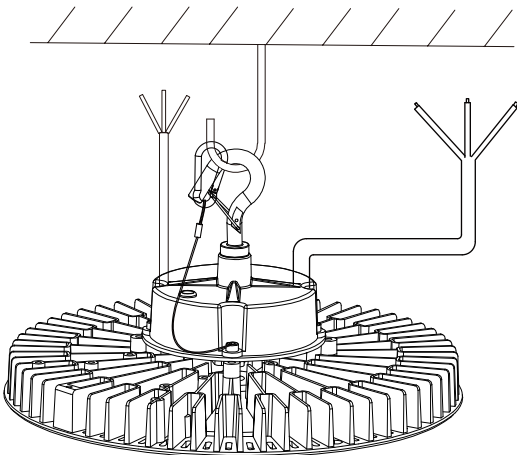
1. Open the box and take out the LED light and ring.
2. Install the ring into the light body as following diagram.



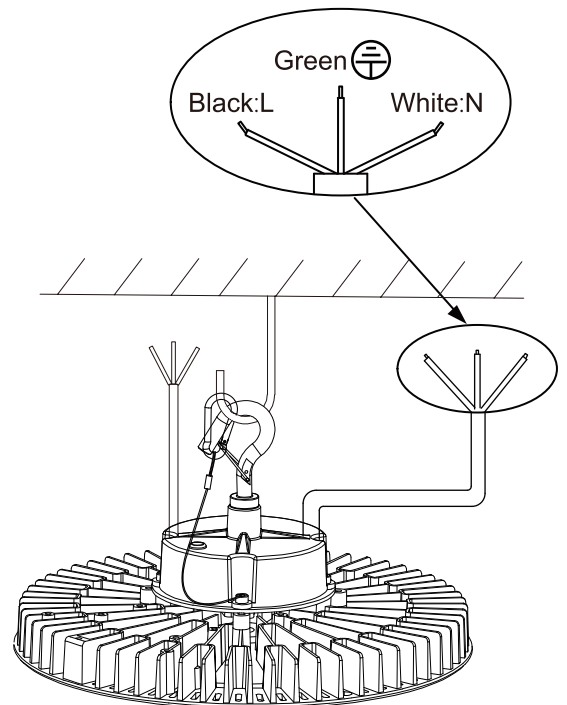
3. Hung the LED light with a sturdy hook.



4. Hang the safety wire one side to the lamp, another side to the sturdy hook shown by diagram.



5. Connect wires as below diagram and turn on power to lighting.



6. Use remote control to adjust product brightness, 0-100% adjustment. Or use microwave induction to intelligently adjust product functions.

