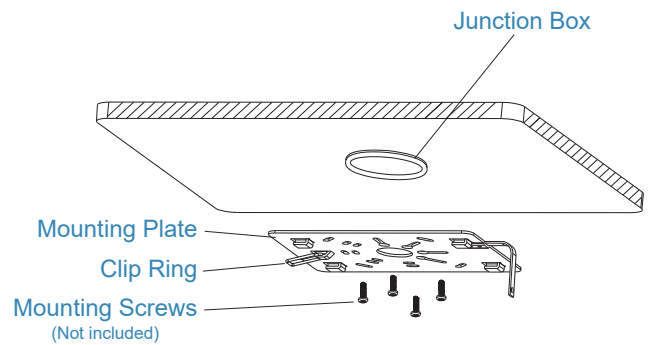
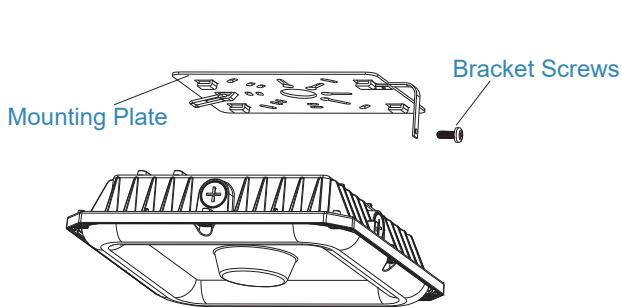


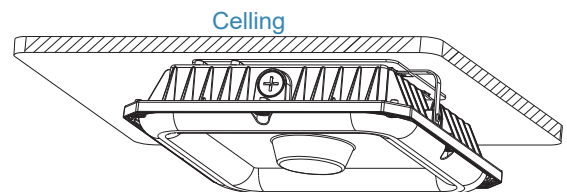
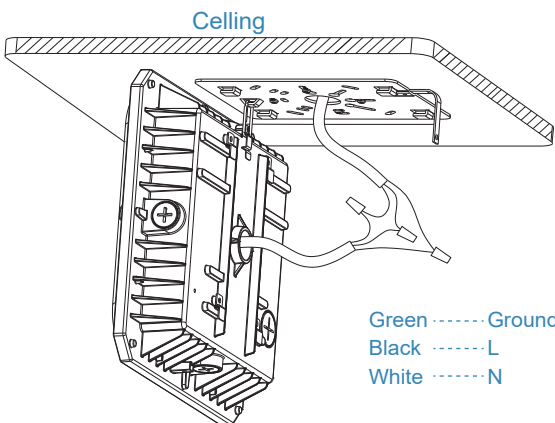
**Warning:** Turn off the power before installation.

## Ceiling Installation



1. Unscrew the bracket screws and remove the mounting plate from the lamp housing.

2. Secure the mounting plate to the ceiling using screws.



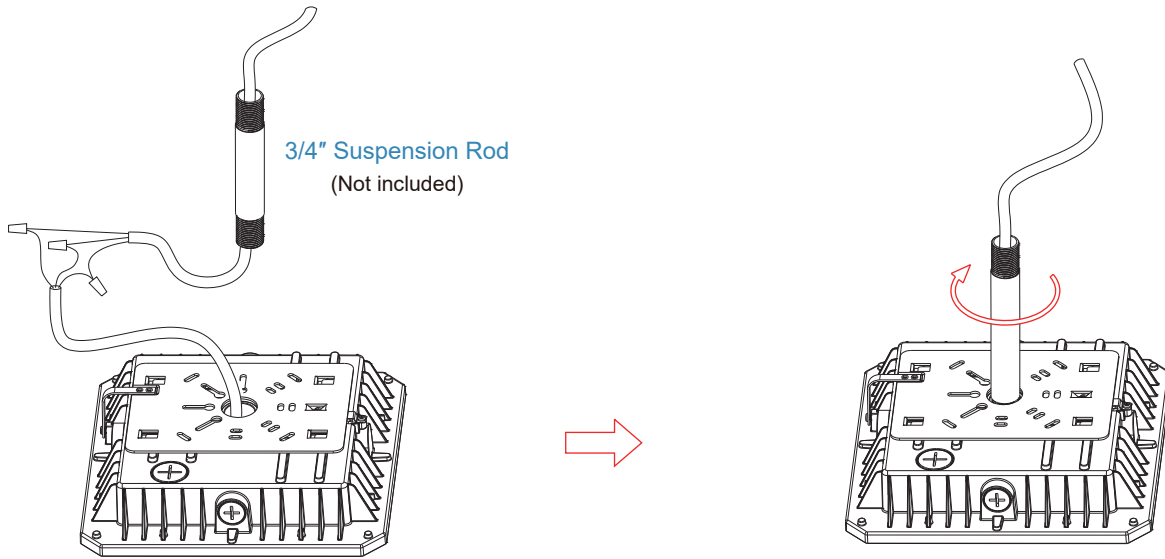
3. Insert the clip ring of the plate into the latch of the light fixture housing, and hang the fixture on the bracket.

4. Disconnect the power supply and properly connect the fixture's wiring (live wire, neutral wire, and ground wire) to the corresponding power supply wiring.

5. If there are color temperature and power adjustment functions, set them to the desired settings.

6. Push the fixture into the plate and tighten the screws to secure the fixture in place.

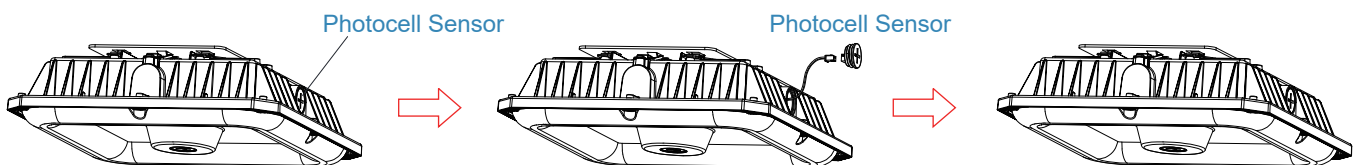
## Suspension Rod Installation



1. Connect the lamp input line to the mains.

2. Twist the light fixture to the installation pole to secure it.

**\* If you don't need the photocell sensor function, please unscrew the light sensor, unplug the cable behind it, and then tighten the light sensor back into the threaded hole. This will disable the light sensor function.**



Unscrew the photocell sensor, then unplug the connector cable from the sensor.

Insert the connector cable into the sensor socket, and finally tighten the sensor into the threaded hole.