

*** IMPORTANT**

READ CAREFULLY BEFORE INSTALLING FIXTURE. RETAIN THESE INSTRUCTIONS FOR FUTURE REFERENCE.

NGTLIGHT fixtures must be wired by qualified electrician. Proper grounding is required for safety.

Make sure power is OFF before installing or maintaining fixture.

*Install height from floor higher than 1.2m.

Safety rope: The safety rope will be hung on the lamp body, the other end fixed to the ceiling expansion bolts.

CAUTION: Be sure fixture temperature is cool enough to touch. Do not clean or maintain while fixture is energized.

SIMPLE METHOD OF INSTALLATION:

Make sure that the ceiling can support the weight of the lamp.

- ① Make one hole between 40mm-50mm(1.57in-1.97in) in the ceiling.
- ② Put the fixture on the ceiling, make four marks according to 4 mounting kits, then drill 4 holes for them.
- ③ Connect the wires correctly and make sure the wires are well protected.
- ④ Get rubber plugs into the holes, match 4 mounting kits to the rubber plugs, then fix the fixture on the ceiling by screws.

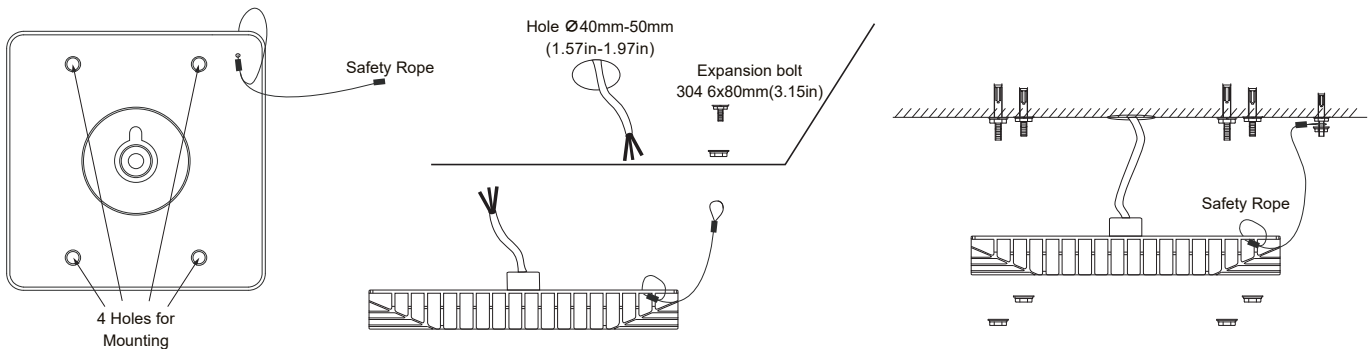
Ensure that no wires are pinched during installation.

- ⑤ After installation, sealed by waterproof glue between fixture and the mounting surface.

ELECTRICAL CONNECTIONS

a. Connect the black wire to line.
 b. Connect the white wire to neutral.
 c. Connect the green or green/yellow wire to ground.

LINE	●	BLK
NEU	●	WHT
GRND	●	REN, GRN/YEL



Remark: expansion screws are not included.

How to adjust the power and color temperature of the light:

*** Tips:**

1. Make sure power off before adjust.
2. Please unscrew the background driver cover.
3. Adjust power and CCT accordingly.

CCT Selections:

There are 3 color temperatures available (WW CW/WW CW). Please select the color temperature you prefer before installation.

WW	CW/WW	CW
3000K	4000K	5000K

Power Selections:

Move the power selection switch from left to right. Power decreases accordingly.

H	M	L
100%	80%	60%

