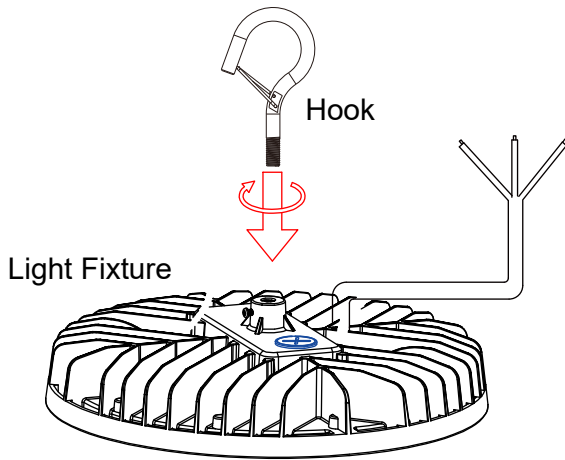
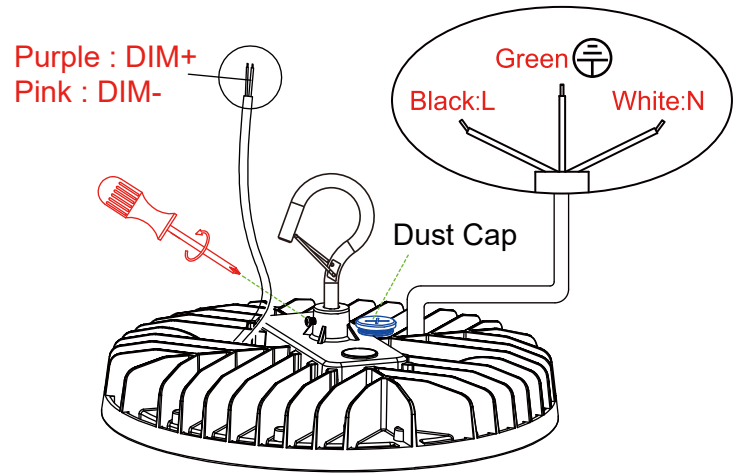


## INSTALLATION INSTRUCTIONS

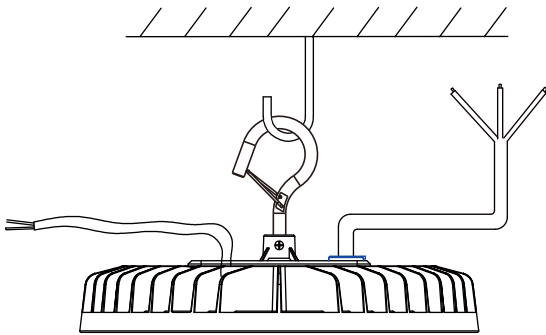
- 1** Knob the hook into the fixture



- 2** Tighten the screw on the side to lock the hook



- 3** Hang the light fixture and tighten the anti-drop screw



- 4** Connect the light fixture to power and turn it on

## Notice :

The light fixture should be installed by Professional electricians to avoid damage and danger

**Please Note: Voltage to light must not exceed 277VAC combined.**

**"When connected to 277V voltage, make sure the voltage of L and N is within 277V"**